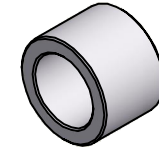
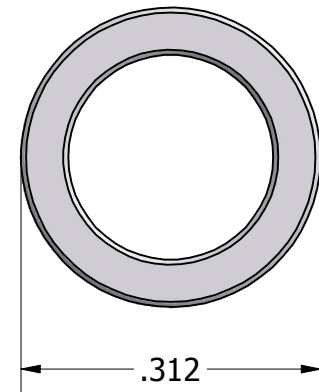
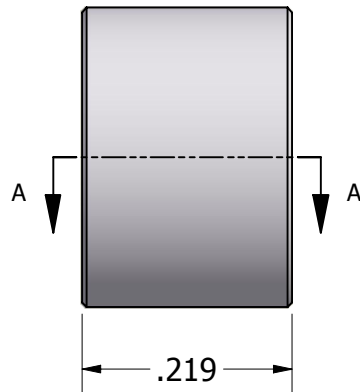


SECTION A-A



ISO SCALE 2 : 1



Finish:  
Spec:  
Type:  
Class:

Tolerances Unless Otherwise Specified:

**.xx Decimal:** ± .02  
**.xxx Decimal:** ± .005  
**Fraction:** ± 1/64  
**Angle:** ± 2°

**LYN-TRON, INC.**

Part Number:

**NAS43DD3-14A**

Description:

**5/16" ROUND SPACER (ALUMINUM)**

Drawn By:

**CAMERONC 10/19/2012**

Gauge:

**STD**

Material:

**Aluminum 2024-T4 (2024)**

Scale:

**5 : 1**