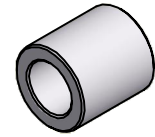
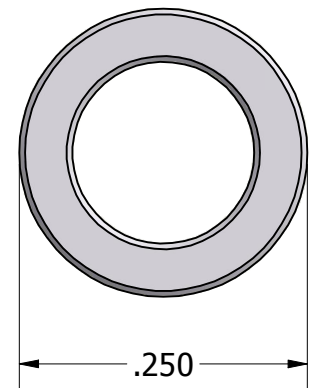
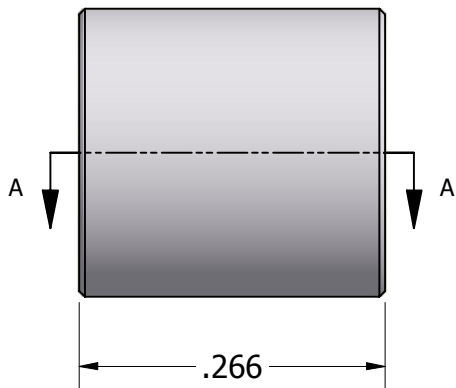


SECTION A-A



ISO SCALE 2 : 1



Finish: GRAY ANODIZE  
 Spec: MIL-A-8625  
 Type: 1  
 Class:

Tolerances Unless Otherwise Specified:

**.xx Decimal:** ± .02  
**.xxx Decimal:** ± .005  
**Fraction:** ± 1/64  
**Angle:** ± 2°

**LYN-TRON, INC.**

Part Number:

**NAS43DD1-17N**

Description:

**1/4" ROUND SPACER (ALUMINUM)**

Drawn By:

**COURTNEYS11/21/2011**

Gauge:

**STD**

Material:

**Aluminum 2024-T4**

Scale:

**6 : 1**