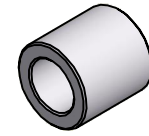
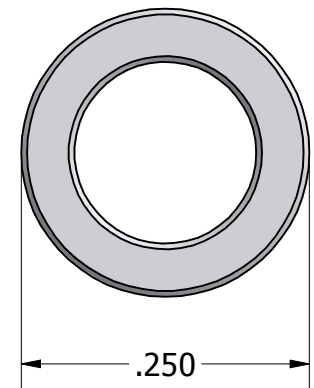
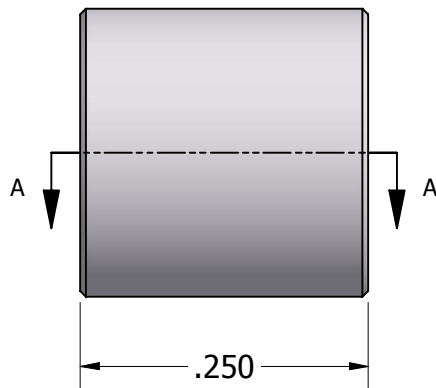


SECTION A-A



ISO SCALE 2 : 1



Finish: CHEMICAL FILM (BLUE)
 Spec: MIL-C-5541
 Type:
 Class: 1A

Tolerances Unless Otherwise Specified:			
.xx Decimal: ± .02			
.xxx Decimal: ± .005			
Fraction: ± 1/64			
Angle: ± 2°			
		Part Number:	
		NAS43DD1-16FC	
		Description:	
		1/4" ROUND SPACER (ALUMINUM)	
Drawn By:	Gauge:	Material:	Scale:
COURTNEYS11/21/2011	STD	Aluminum 2024-T4	6 : 1