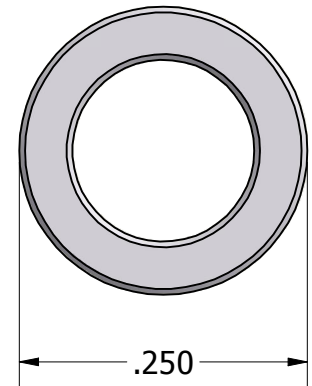
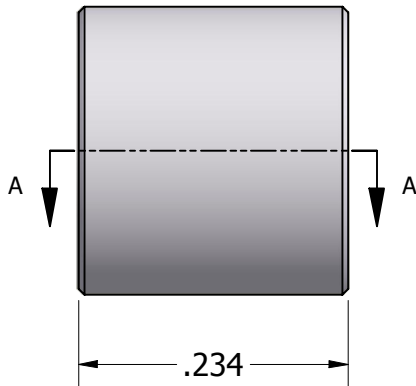


SECTION A-A



ISO SCALE 2 : 1



Finish: GRAY ANODIZE
 Spec: MIL-A-8625
 Type: 1
 Class:

Tolerances Unless Otherwise Specified:

.xx Decimal: ± .02
.xxx Decimal: ± .005
Fraction: ± 1/64
Angle: ± 2°

LYN-TRON, INC.

Part Number:

NAS43DD1-15N

Description:

1/4" ROUND SPACER (ALUMINUM)

Drawn By:

COURTNEYS11/21/2011

Gauge:

STD

Material:

Aluminum 2024-T4

Scale:

6 : 1