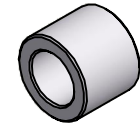
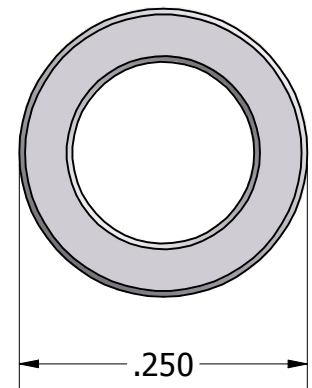
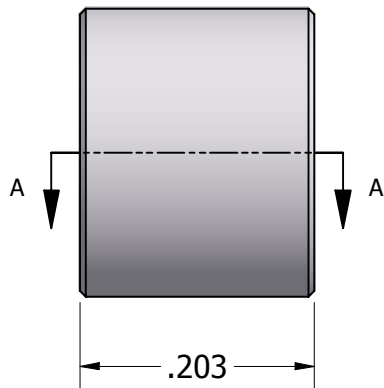


SECTION A-A



ISO SCALE 2 : 1



Finish: NO FINISH
 Spec:
 Type:
 Class:

Tolerances Unless Otherwise Specified:

.xx Decimal: $\pm .02$
.xxx Decimal: $\pm .005$
Fraction: $\pm 1/64$
Angle: $\pm 2^\circ$

LYN-TRON, INC.

Part Number:

NAS43DD1-13A

Description:

1/4" ROUND SPACER (ALUMINUM)

Drawn By:

COURTNEYS11/21/2011

Gauge:

STD

Material:

Aluminum 2024-T4

Scale:

6 : 1