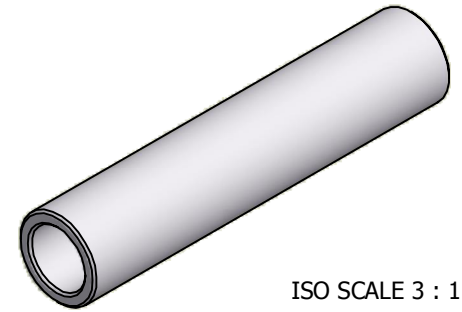
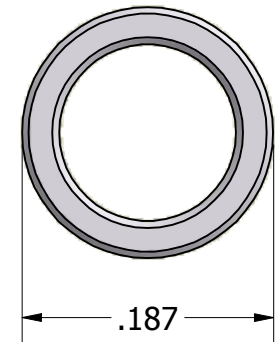
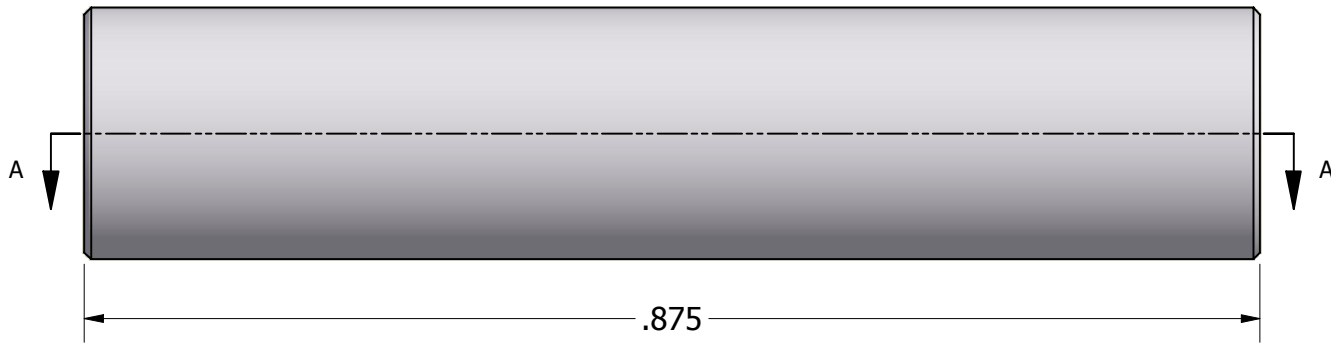


Ø.132 ± .015



ISO SCALE 3 : 1

SECTION A-A



Finish: CHEMICAL FILM (BLUE)
 Spec: MIL-C-5541
 Type:
 Class: 1A

Tolerances Unless Otherwise Specified:

.xx Decimal: ± .02
.xxx Decimal: ± .005
Fraction: ± 1/64
Angle: ± 2°

LYN-TRON, INC.

Part Number:

NAS43DD0-56FC

Description:

3/16" ROUND SPACER (ALUMINUM)

Drawn By:

COURTNEYS11/17/2011

Gauge:

STD

Material:

Aluminum 2024-T4

Scale:

7 : 1