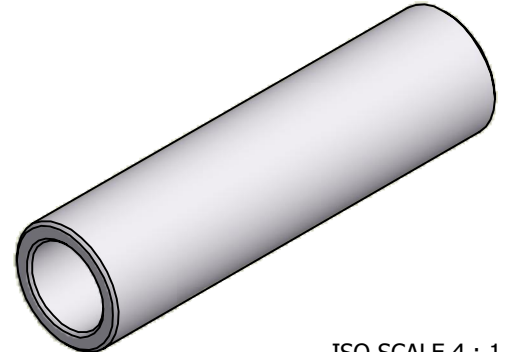
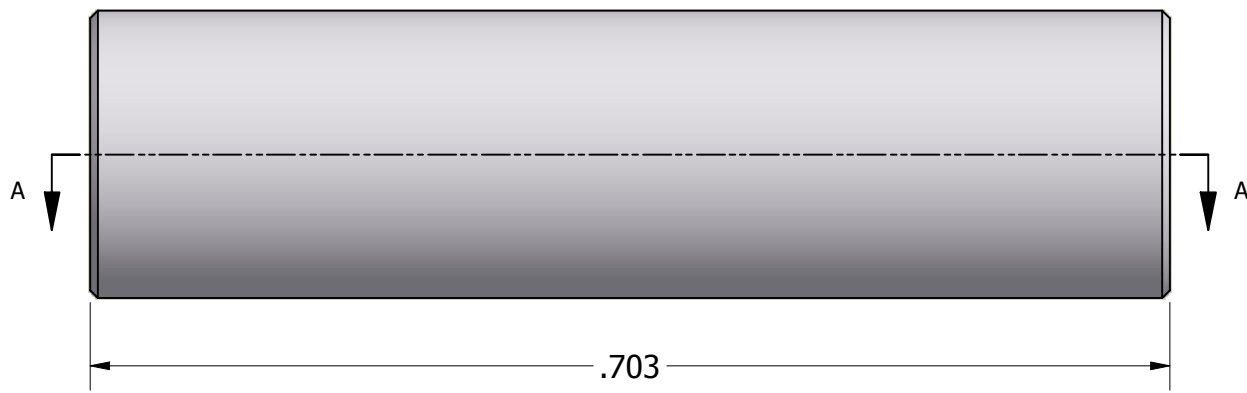


Ø.132 ± .015

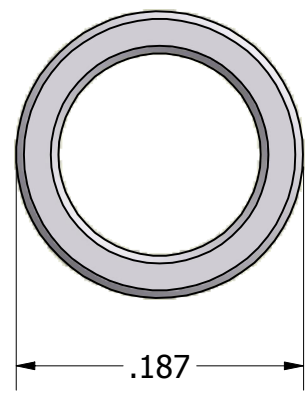


ISO SCALE 4 : 1

SECTION A-A



.703



.187

Finish: CHEMICAL FILM (BLUE)  
 Spec: MIL-C-5541  
 Type:  
 Class: 1A

Tolerances Unless Otherwise Specified:  
 .xx Decimal: ± .02  
 .xxx Decimal: ± .005  
 Fraction: ± 1/64  
 Angle: ± 2°

**LYN-TRON, INC.**

Part Number:  
**NAS43DD0-45FC**

Description:  
**3/16" ROUND SPACER (ALUMINUM)**

Drawn By:  
**COURTNEYS11/17/2011**

Gauge:  
**STD**

Material:  
**Aluminum 2024-T4**

Scale:  
**8 : 1**