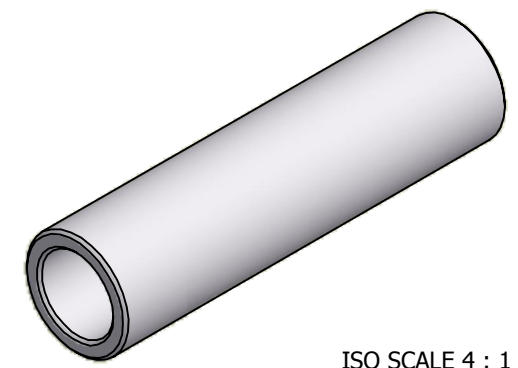
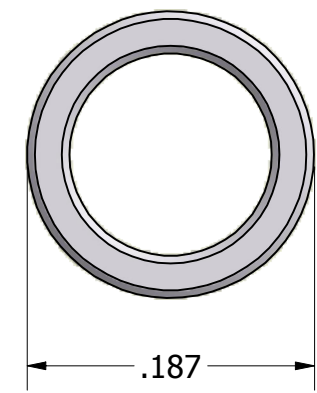
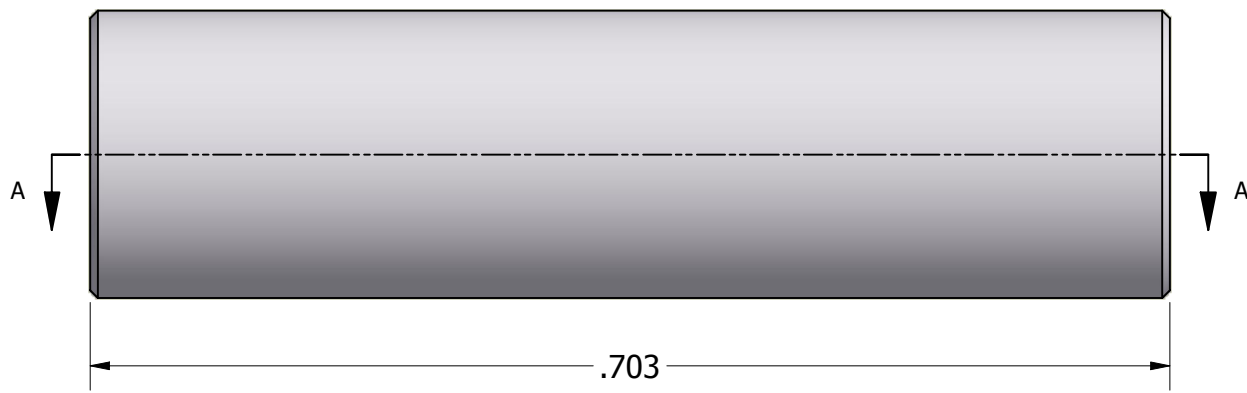


Ø.132 ± .015



ISO SCALE 4 : 1

SECTION A-A



Finish: NO FINISH
 Spec:
 Type:
 Class:

Tolerances Unless Otherwise Specified:
 .xx Decimal: ± .02
 .xxx Decimal: ± .005
 Fraction: ± 1/64
 Angle: ± 2°

LYN-TRON, INC.

Part Number:
NAS43DD0-45A

Description:
3/16" ROUND SPACER (ALUMINUM)

Drawn By:
COURTNEYS11/17/2011

Gauge:
STD

Material:
Aluminum 2024-T4

Scale:
8 : 1