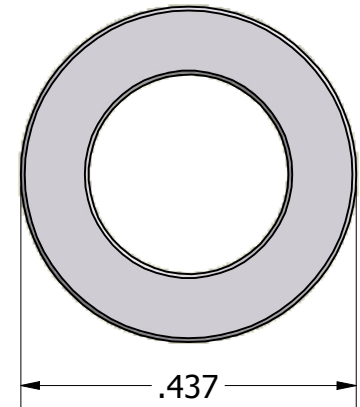
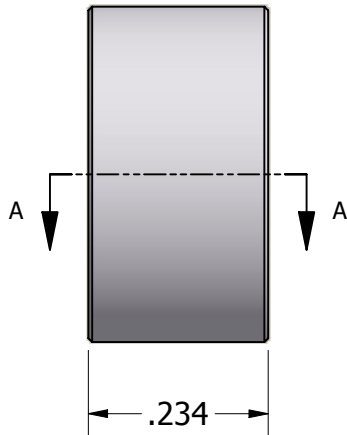


ISO SCALE 2 : 1



Finish: NO FINISH  
 Spec:  
 Type:  
 Class:

Tolerances Unless Otherwise Specified:			
<b>.xx Decimal:</b> $\pm .02$ <b>.xxx Decimal:</b> $\pm .005$ <b>Fraction:</b> $\pm 1/64$ <b>Angle:</b> $\pm 2^\circ$			
Part Number:		<b>NAS42DD8-15A</b>	
Description:		<b>7/16" ROUND SPACER (ALUMINUM)</b>	
Drawn By:	Gauge:	Material:	Scale:
<b>RICKZ</b>	<b>10/20/2011</b>	<b>STD</b>	<b>Aluminum 2024-T4</b>
			<b>4 : 1</b>