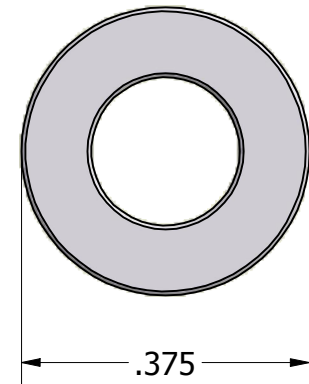
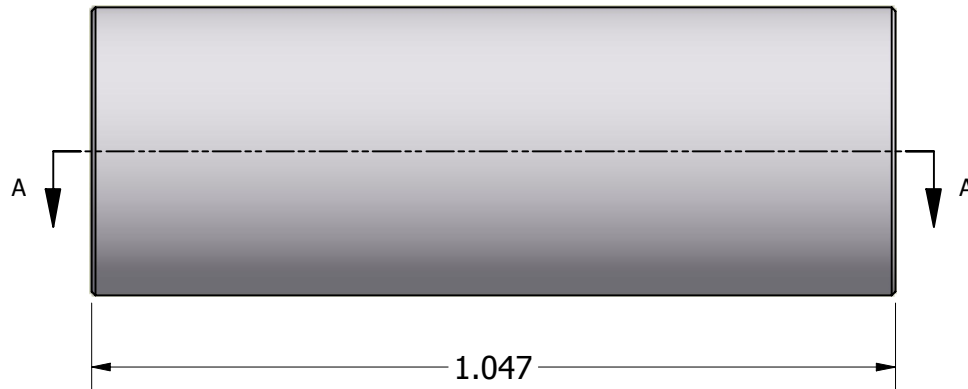


ISO SCALE 2 : 1



Finish: NO FINISH  
 Spec:  
 Type:  
 Class:

Tolerances Unless Otherwise Specified:

**.xx Decimal:** ± .02  
**.xxx Decimal:** ± .005  
**Fraction:** ± 1/64  
**Angle:** ± 2°

**LYN-TRON, INC.**

Part Number:

**NAS42DD6-67A**

Description:

**3/8" ROUND SPACER (ALUMINUM)**

Drawn By:

**RICKZ**

**10/18/2011**

Gauge:

**STD**

Material:

**Aluminum 2024-T4**

Scale:

**4 : 1**