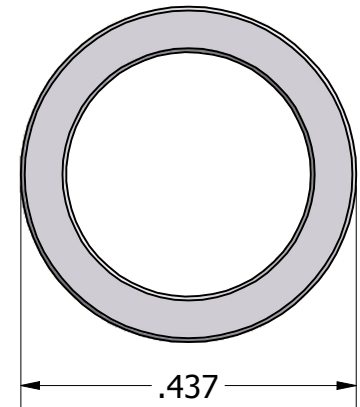
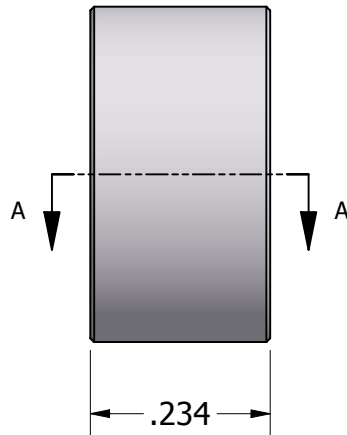


ISO SCALE 2 : 1



Finish: NO FINISH
 Spec:
 Type:
 Class:

All information on this document is owned by Lyn-Tron, Inc. and is not to be copied or used without prior written consent.
 LYN-TRON, INC. www.lyntron.com 800-423-2734

Tolerances Unless Otherwise Specified:			
.xx Decimal: $\pm .02$			
.xxx Decimal: $\pm .005$			
Fraction: $\pm 1/64$			
Angle: $\pm 2^\circ$			
		Part Number:	
		NAS42DD10A-15A	
		Description:	
		7/16" ROUND SPACER (ALUMINUM)	
Drawn By:	Gauge:	Material:	Scale:
COURTNEYS11/30/2011	STD	Aluminum 2024-T4	4 : 1