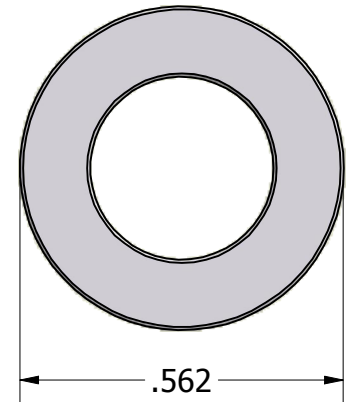
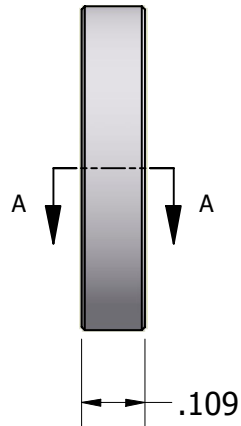


ISO SCALE 1 : 1



Finish: NO FINISH  
 Spec:  
 Type:  
 Class:

Tolerances Unless Otherwise Specified:		<b>LYN-TRON, INC.</b>	
.xx Decimal: $\pm .02$ .xxx Decimal: $\pm .005$ Fraction: $\pm 1/64$ Angle: $\pm 2^\circ$			
Part Number:		<b>NAS42DD10-7A</b>	
Description:		<b>9/16" ROUND SPACER (ALUMINUM)</b>	
Drawn By:	Gauge:	Material:	Scale:
<b>RICKZ</b>	<b>10/14/2011</b>	<b>STD</b>	<b>Aluminum 2024-T4</b>
			<b>3 : 1</b>