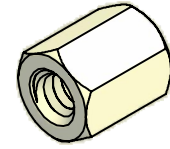
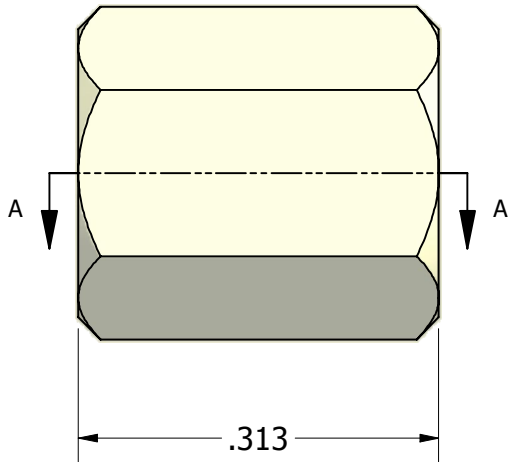


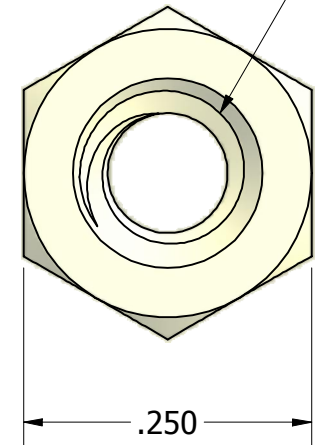
SECTION A-A



ISO SCALE 2 : 1



6-32 UNC-2B Thru



Finish: Unplated  
 Spec: N/A  
 Type: N/A  
 Class: N/A

Tolerances Unless Otherwise Specified:

**.xx Decimal:** ± .02  
**.xxx Decimal:** ± .010  
**Fraction:** ± 1/64  
**Angle:** ± 2°

**LYN-TRON, INC.**

Part Number:

**NAS1831H4C05**

Description:

**1/4" HEX FEMALE STANDOFF**

Drawn By:

**COURTNEYS08/09/2012**

Gauge:

**STD**

Material:

**Nylon (6/6)**

Scale:

**6 : 1**