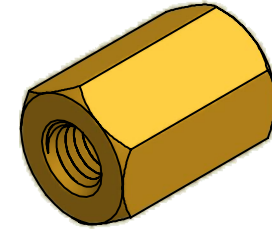
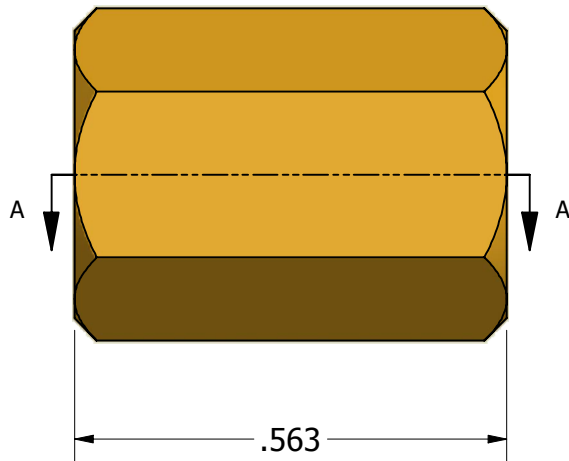


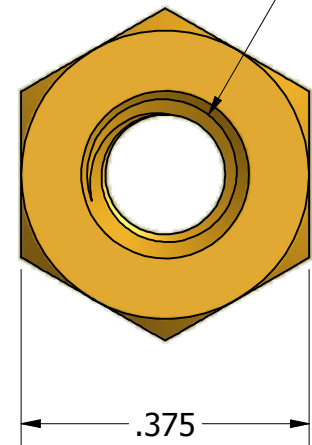
SECTION A-A



ISO SCALE 2 : 1



10-32 UNF-2B Thru



Finish:
Spec:
Type:
Class:

Tolerances Unless Otherwise Specified:

.xx Decimal: ± .02
.xxx Decimal: ± .005
Fraction: ± 1/64
Angle: ± 2°

LYN-TRON, INC.

Part Number:

NAS1831BT6E09

Description:

3/8" HEX FEMALE STANDOFF

Drawn By:

COURTNEYS08/14/2012

Gauge:

PP

Material:

Brass 360 (11)

Scale:

4 : 1