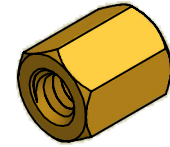
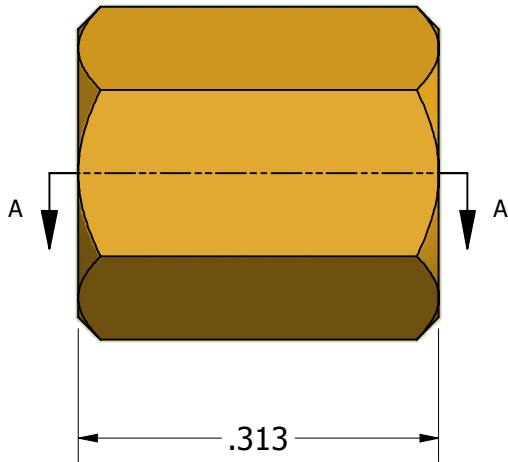


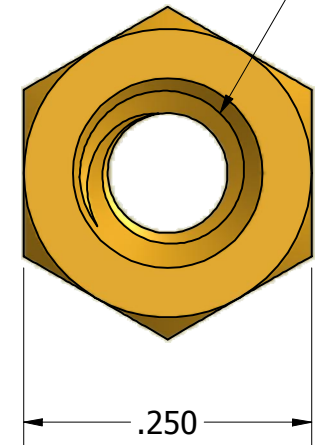
SECTION A-A



ISO SCALE 2 : 1



6-32 UNC-2B Thru



Finish:  
Spec:  
Type:  
Class:

Tolerances Unless Otherwise Specified:

**.xx Decimal:**  $\pm .02$   
**.xxx Decimal:**  $\pm .005$   
**Fraction:**  $\pm 1/64$   
**Angle:**  $\pm 2^\circ$

**LYN-TRON, INC.**

Part Number:

**NAS1831BT4C05**

Description:

**1/4" HEX FEMALE STANDOFF**

Drawn By:

**COURTNEYS08/09/2012**

Gauge:

**PP**

Material:

**Brass 360 (11)**

Scale:

**6 : 1**