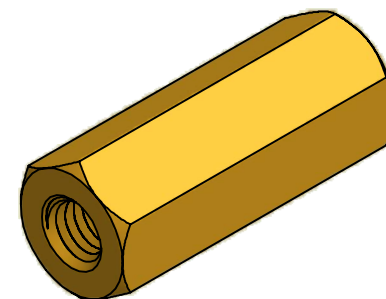
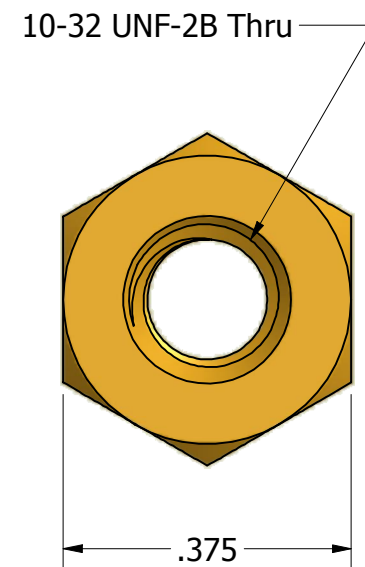
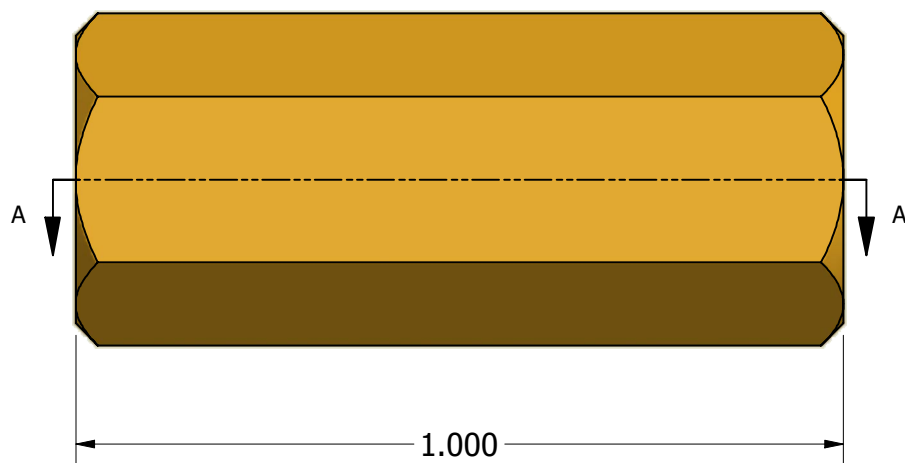


SECTION A-A



ISO SCALE 2 : 1



Finish:
Spec:
Type:
Class:

Tolerances Unless Otherwise Specified:

.xx Decimal: $\pm .02$
.xxx Decimal: $\pm .005$
Fraction: $\pm 1/64$
Angle: $\pm 2^\circ$

LYN-TRON, INC.

Part Number:

NAS1831B6E16

Description:

3/8" HEX FEMALE STANDOFF

Drawn By:

COURTNEYS08/14/2012

Gauge:

PP

Material:

Brass 360 (11)

Scale:

4 : 1