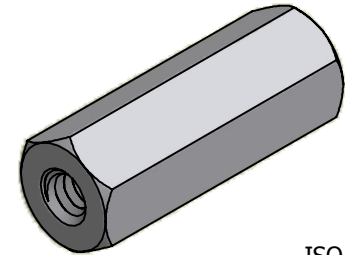
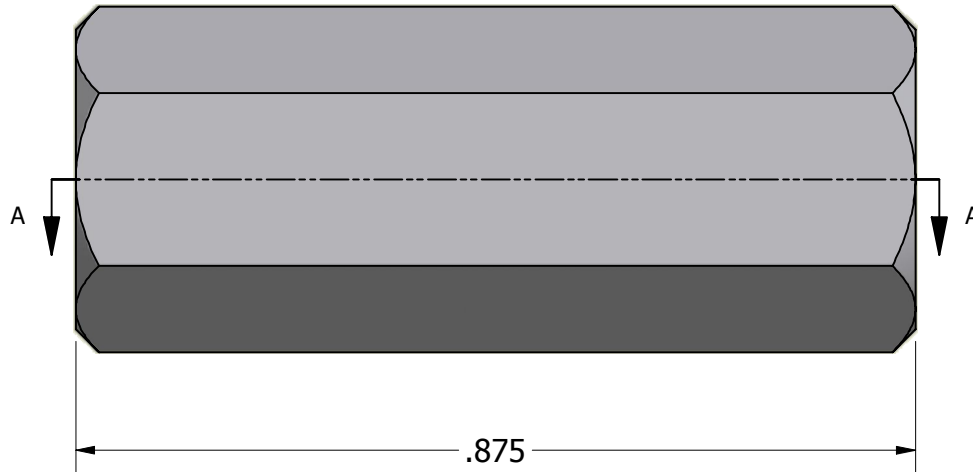
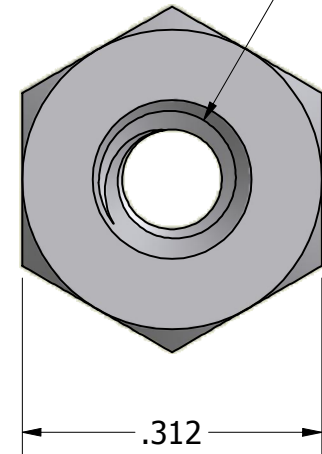


SECTION A-A



ISO SCALE 2 : 1

6-32 UNC-2B Thru



Finish:  
Spec:  
Type:  
Class:

Tolerances Unless Otherwise Specified:

**.xx Decimal:** ± .02  
**.xxx Decimal:** ± .005  
**Fraction:** ± 1/64  
**Angle:** ± 2°

**LYN-TRON, INC.**

Part Number:

**NAS1831-5C14**

Description:

**5/16" HEX FEMALE STANDOFF**

Drawn By:

**COURTNEYS08/09/2012**

Gauge:

**STD**

Material:

**Steel**

Scale:

**5 : 1**