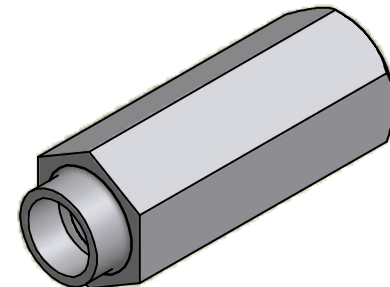
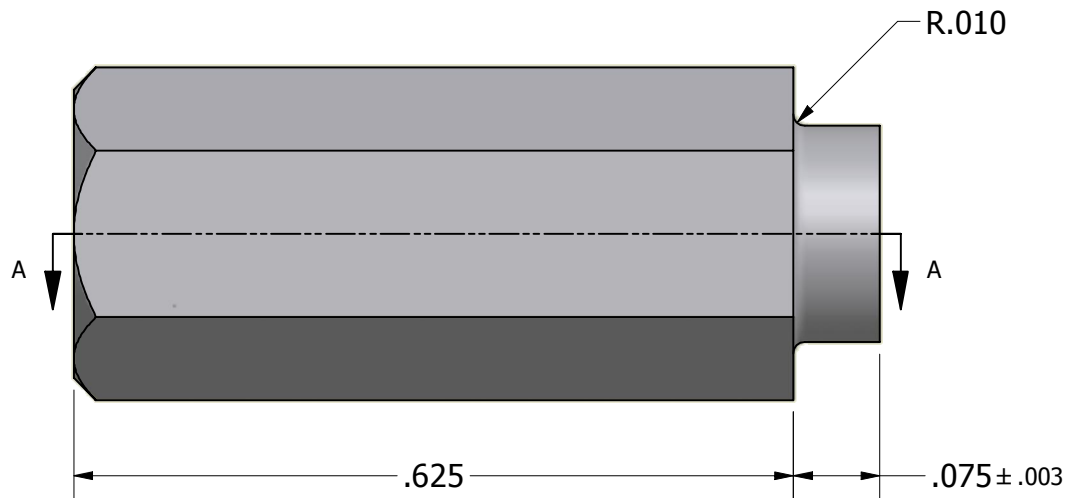


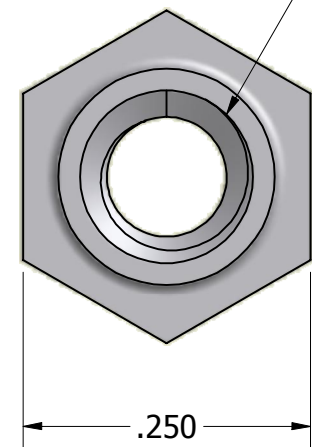
SECTION A-A



ISO SCALE 3 : 1



6-32 UNC-2B Thru



Finish:  
Spec:  
Type:  
Class:

Tolerances Unless Otherwise Specified:

.xx Decimal: ± .02  
.xxx Decimal: ± .005  
Fraction: ± 1/64  
Angle: ± 2°

**LYN-TRON, INC.**

Part Number:

**NAS1830C04A10**

Description:

**1/4 HEX" SWAGE STANDOFF**

Drawn By:

**COURTNEYS08/28/2012**

Gauge:

**STD**

Material:

**Stainless Steel (303)**

Scale:

**6 : 1**