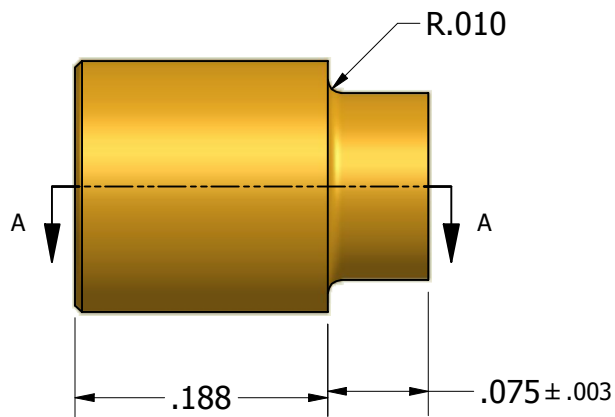


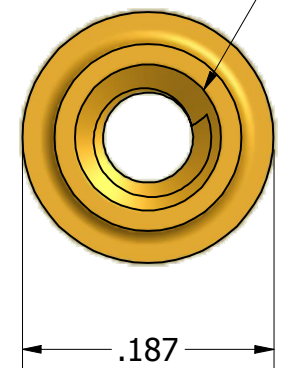
SECTION A-A



ISO SCALE 3 : 1



2-56 UNC-2B Thru



Finish:
Spec:
Type:
Class:

Tolerances Unless Otherwise Specified:

.xx Decimal: $\pm .02$
.xxx Decimal: $\pm .005$
Fraction: $\pm 1/64$
Angle: $\pm 2^\circ$

LYN-TRON, INC.

Part Number:

NAS1830B12A03

Description:

3/16 RND" SWAGE STANDOFF

Drawn By:

COURTNEYS08/28/2012

Gauge:

PP

Material:

Brass 360 (360)

Scale:

7 : 1