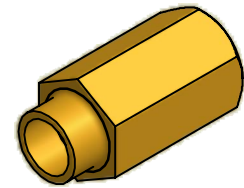
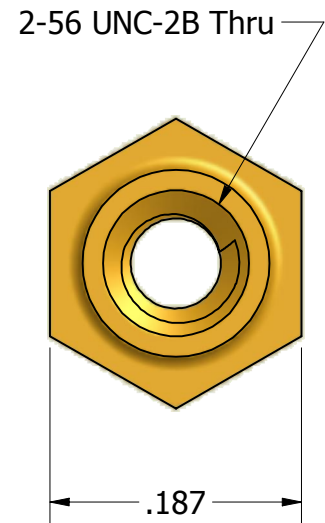
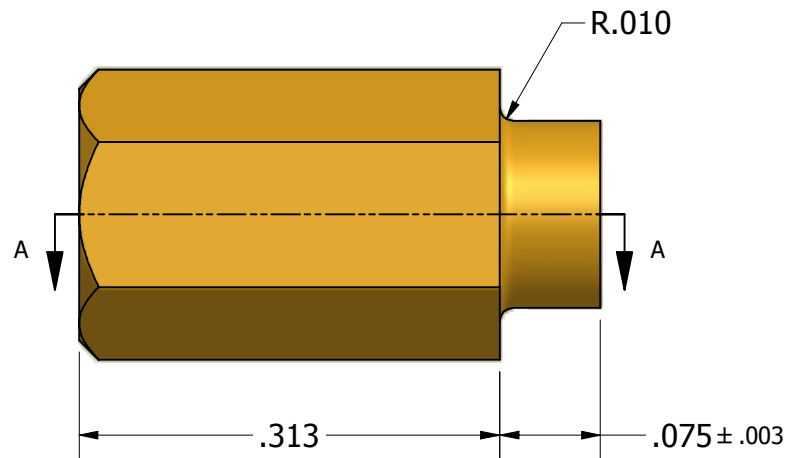


SECTION A-A



ISO SCALE 3 : 1



Finish:  
Spec:  
Type:  
Class:

Tolerances Unless Otherwise Specified:

.xx Decimal: ± .02  
.xxx Decimal: ± .005  
Fraction: ± 1/64  
Angle: ± 2°

**LYN-TRON, INC.**

Part Number:

**NAS1830B02A05**

Description:

**3/16 HEX" SWAGE STANDOFF**

Drawn By:

**COURTNEYS08/16/2012**

Gauge:

**PP**

Material:

**Brass 360 (360)**

Scale:

**7 : 1**