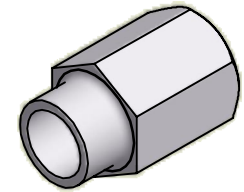
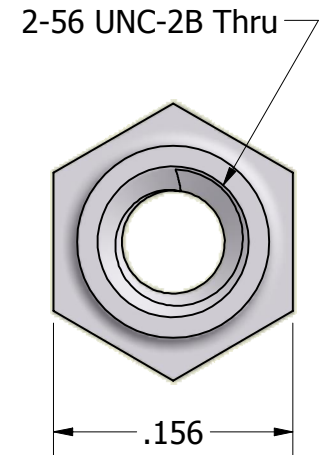
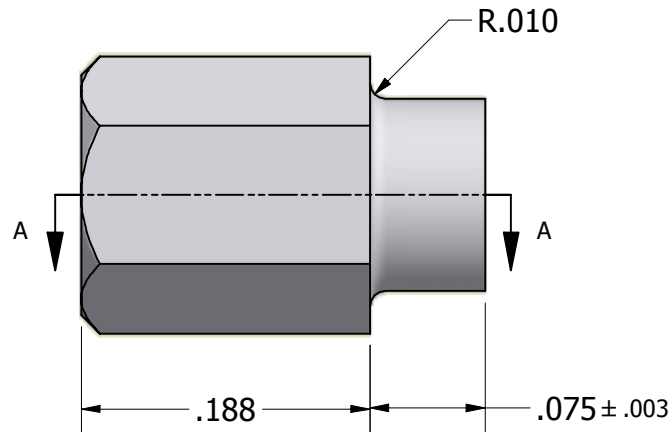


SECTION A-A



ISO SCALE 4 : 1



Finish:
Spec:
Type:
Class:

Tolerances Unless Otherwise Specified:

.xx Decimal: ± .02
.xxx Decimal: ± .005
Fraction: ± 1/64
Angle: ± 2°

LYN-TRON, INC.

Part Number:

NAS1830A01A03

Description:

5/32 HEX" SWAGE STANDOFF

Drawn By:

COURTNEYS08/14/2012

Gauge:

STD

Material:

Aluminum 2024-T4 (T6)

Scale:

8 : 1