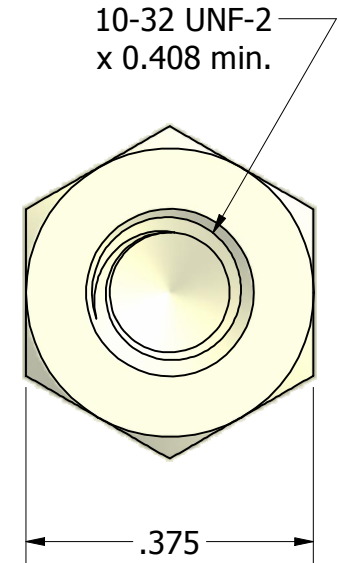
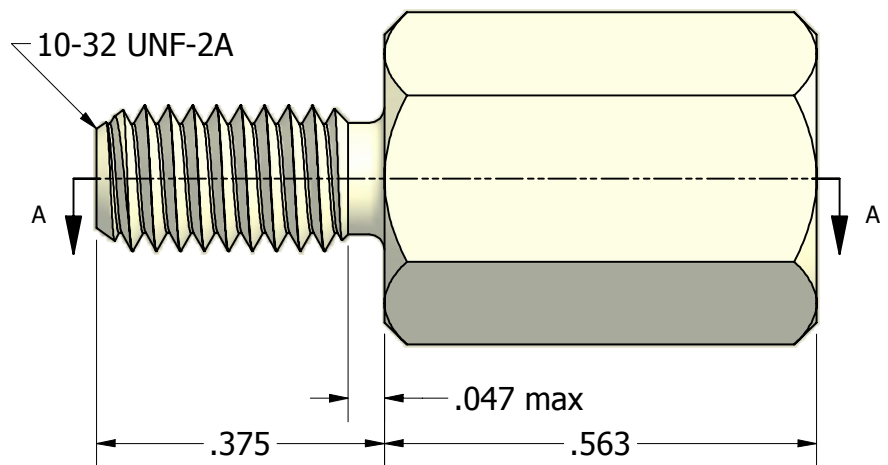


ISO SCALE 2 : 1



Finish: Unplated  
Spec: N/A  
Type: N/A  
Class: N/A

Tolerances Unless Otherwise Specified:  
 .xx Decimal:  $\pm .02$   
 .xxx Decimal:  $\pm .010$   
 Fraction:  $\pm 1/64$   
 Angle:  $\pm 2^\circ$

**LYN-TRON, INC.**

Part Number:  
**NAS1829H6J09**

Description:  
**3/8" HEX MALE FEMALE STANDOFF**

Drawn By:  
**COURTNEYS09/11/2012**

Gauge:  
**STD**

Material:  
**Nylon (6/6)**

Scale:  
**4 : 1**