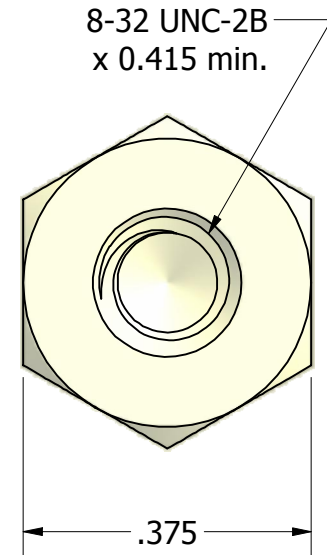
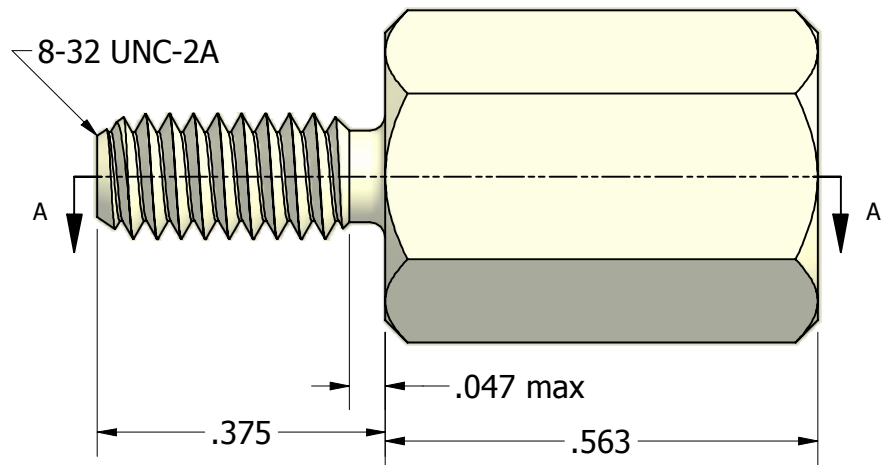


ISO SCALE 2 : 1



Finish: Unplated
 Spec: N/A
 Type: N/A
 Class: N/A

All information on this document is owned by Lyn-Tron, Inc. and is not to be copied or used without prior written consent.
 LYN-TRON, INC. www.lyntron.com 800-423-2734

Tolerances Unless Otherwise Specified:			
.xx Decimal:	± .02		
.xxx Decimal:	± .010		
Fraction:	± 1/64		
Angle:	± 2°		
Part Number:		NAS1829H6H09	
Description:		3/8" HEX MALE FEMALE STANDOFF	
Drawn By:	Gauge:	Material:	Scale:
COURTNEYS09/11/2012	STD	Nylon (6/6)	4 : 1