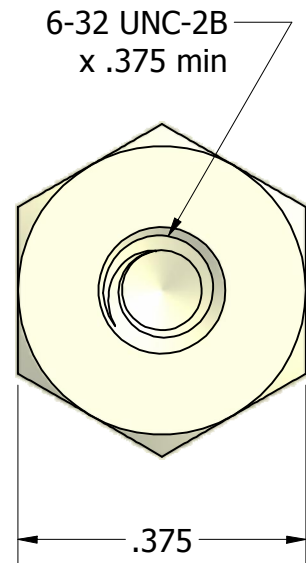
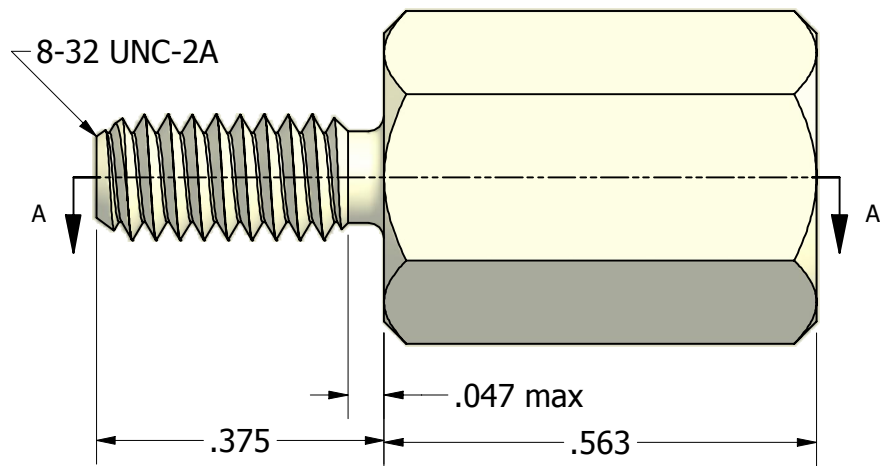


ISO SCALE 2 : 1



Finish: Unplated
 Spec: N/A
 Type: N/A
 Class: N/A

Tolerances Unless Otherwise Specified:
 .xx Decimal: $\pm .02$
 .xxx Decimal: $\pm .010$
 Fraction: $\pm 1/64$
 Angle: $\pm 2^\circ$

LYN-TRON, INC.

Part Number:
NAS1829H6F09

Description:
3/8" HEX MALE FEMALE STANDOFF

Drawn By:
COURTNEYS09/11/2012

Gauge:
STD

Material:
Nylon (6/6)

Scale:
4 : 1