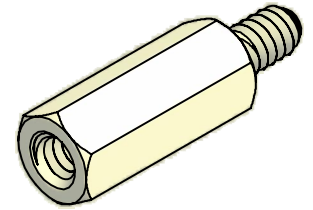
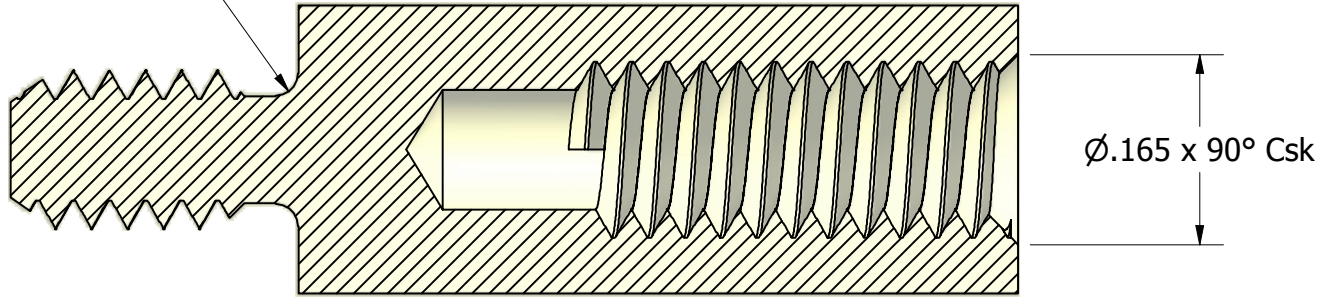
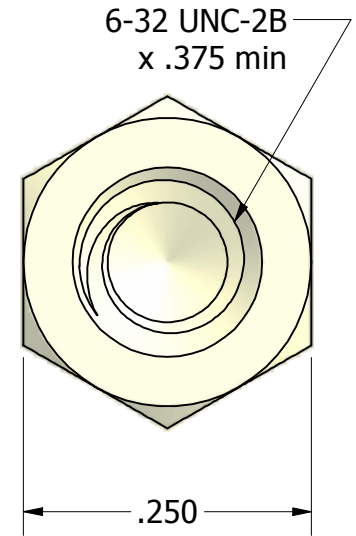
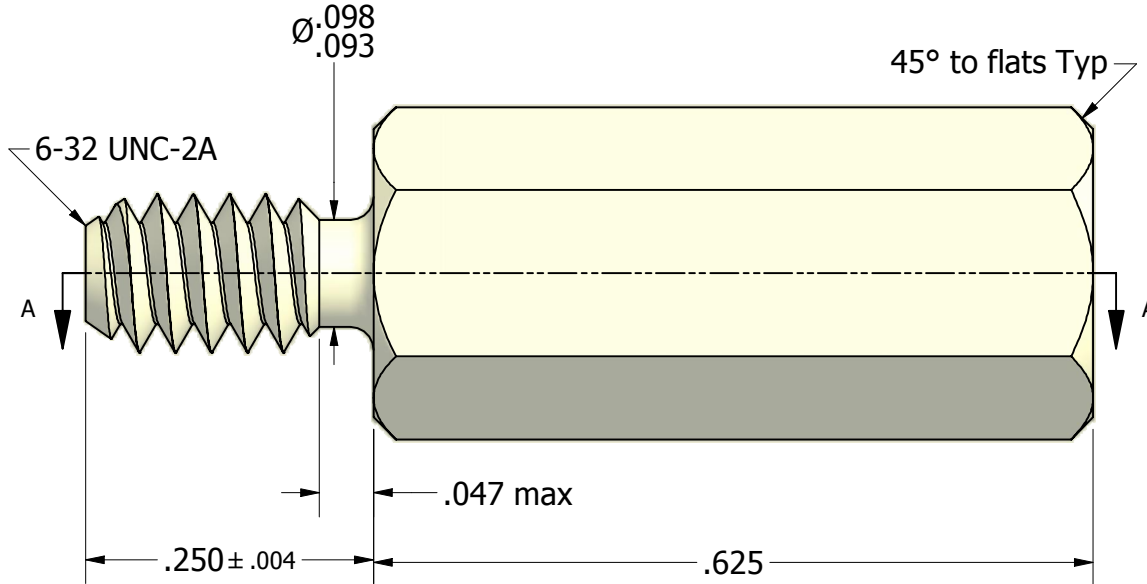


R.020 ± .010

SECTION A-A



ISO SCALE 2 : 1



Finish: Unplated
 Spec: N/A
 Type: N/A
 Class: N/A

Tolerances Unless Otherwise Specified:

.xx Decimal: ± .02
 .xxx Decimal: ± .010
 Fraction: ± 1/64
 Angle: ± 2°

LYN-TRON, INC.

Part Number:

NAS1829H4E10

Description:

1/4" HEX MALE FEMALE STANDOFF

Drawn By:

COURTNEYS08/30/2012

Gauge:

STD

Material:

Nylon (6/6)

Scale:

6 : 1