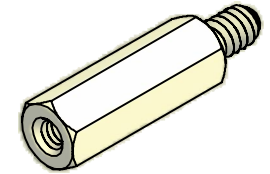
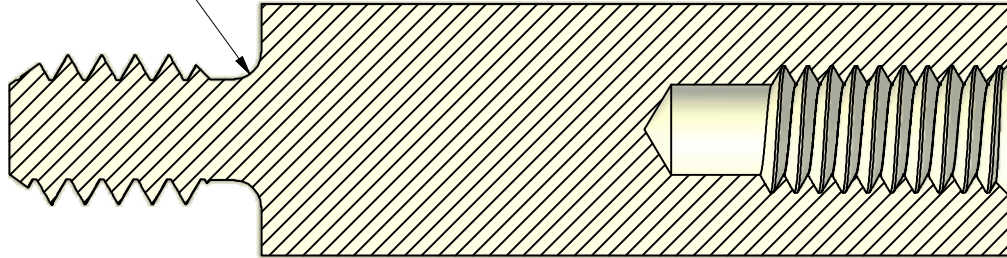


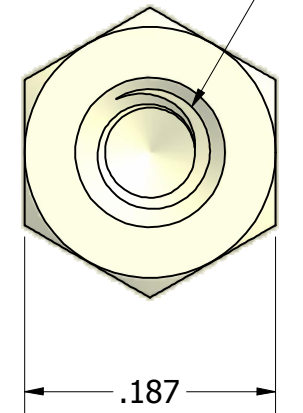
R.020 ± .010

SECTION A-A

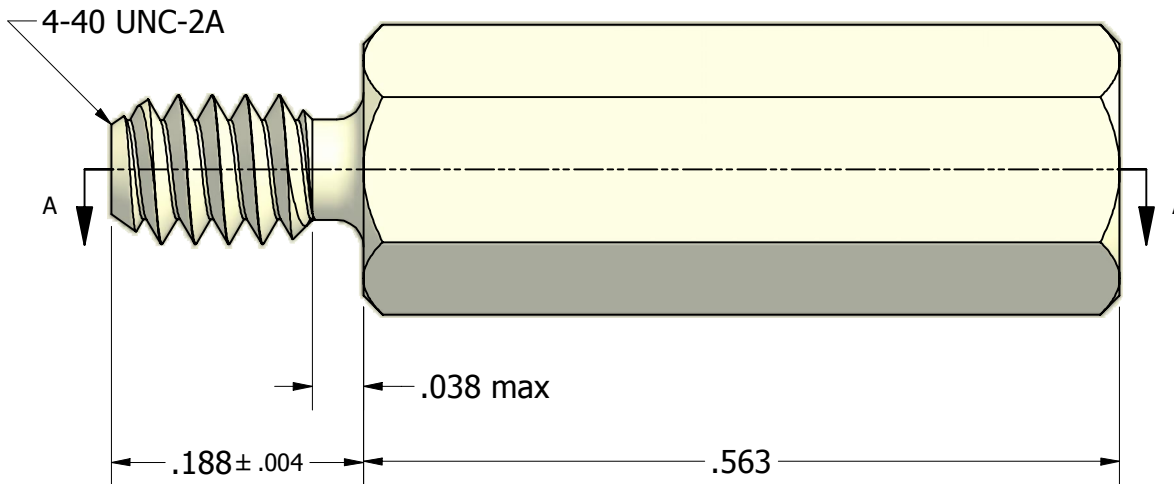


ISO SCALE 2 : 1

2-56 UNC-2B
x .187 min



4-40 UNC-2A



Finish: Unplated
 Spec: N/A
 Type: N/A
 Class: N/A

Tolerances Unless Otherwise Specified:

.xx Decimal: ± .02
 .xxx Decimal: ± .010
 Fraction: ± 1/64
 Angle: ± 2°

LYN-TRON, INC.

Part Number:

NAS1829H3B09

Description:

3/16" HEX MALE FEMALE STANDOFF

Drawn By:

COURTNEYS08/30/2012

Gauge:

STD

Material:

Nylon (6/6)

Scale:

7 : 1