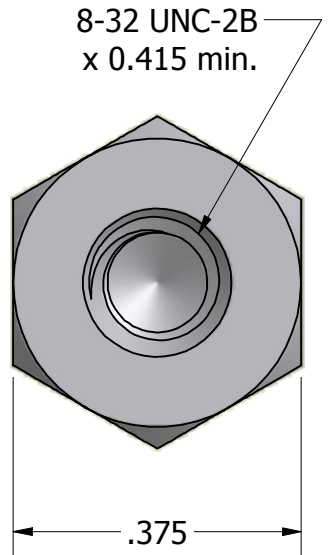
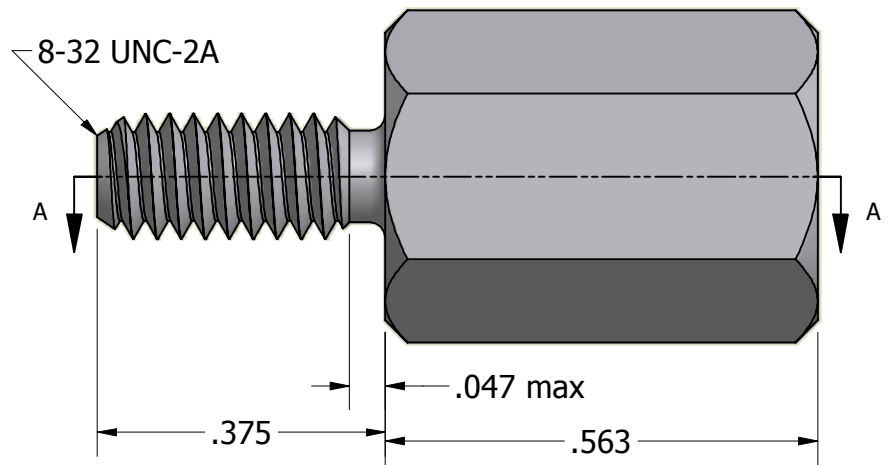


ISO SCALE 2 : 1



Finish:  
Spec:  
Type:  
Class:

Tolerances Unless Otherwise Specified:  
 .xx Decimal: ± .02  
 .xxx Decimal: ± .005  
 Fraction: ± 1/64  
 Angle: ± 2°

**LYN-TRON, INC.**

Part Number:  
**NAS1829C6H09**

Description:  
**3/8" HEX MALE FEMALE STANDOFF**

Drawn By:  
**COURTNEYS09/11/2012**

Gauge:  
**STD**

Material:  
**Stainless Steel (303)**

Scale:  
**4 : 1**