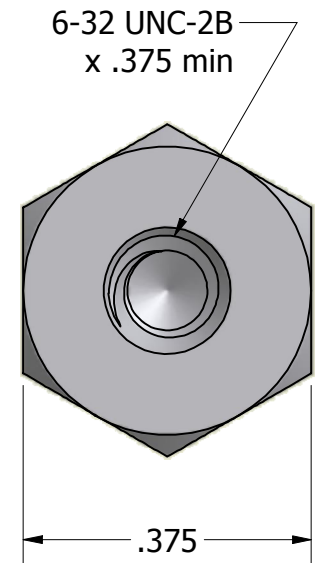
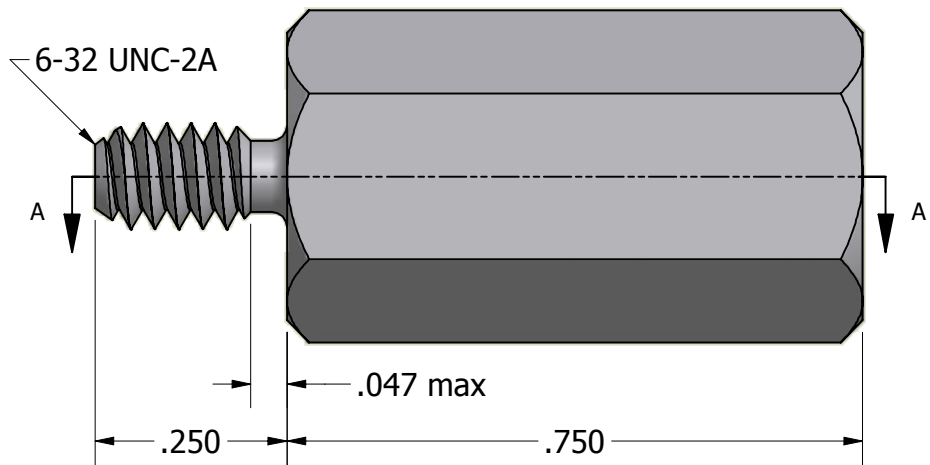


ISO SCALE 2 : 1



Finish:
Spec:
Type:
Class:

Tolerances Unless Otherwise Specified:
 .xx Decimal: $\pm .02$
 .xxx Decimal: $\pm .005$
 Fraction: $\pm 1/64$
 Angle: $\pm 2^\circ$

| | | | |
|--|----------------------|---|------------------------|
| LYN-TRON, INC. | | | |
| Part Number: NAS1829C6E12 | | | |
| Description: 3/8" HEX MALE FEMALE STANDOFF | | | |
| Drawn By: COURTNEYS09/11/2012 | Gauge: STD | Material: Stainless Steel (303) | Scale: 4 : 1 |