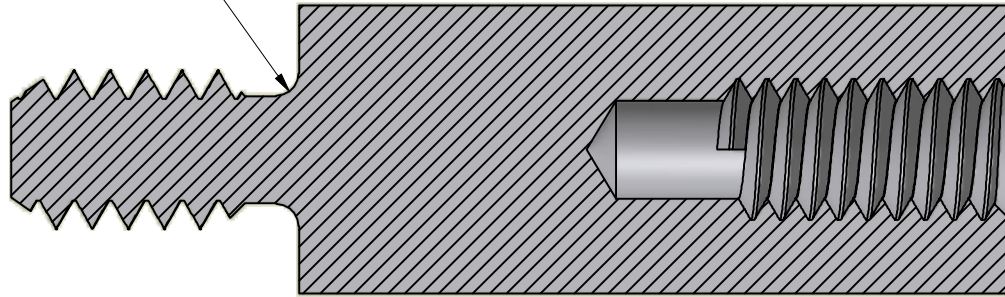
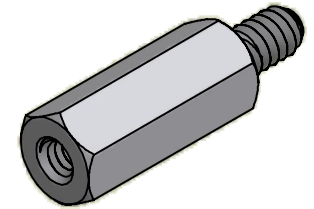


R.020 ± .010

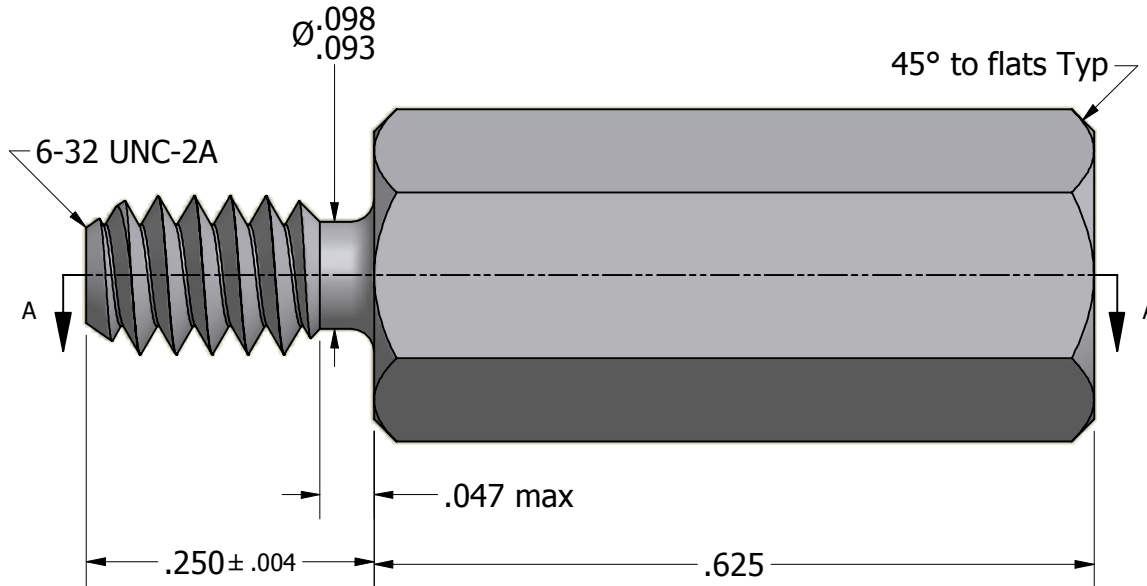
SECTION A-A



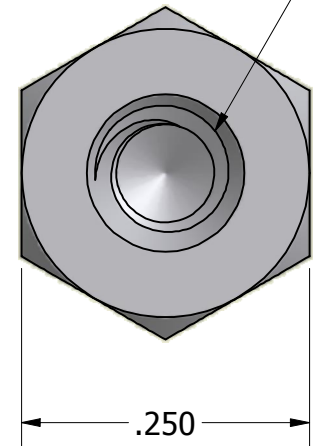
Ø.137 x 90° Csk



ISO SCALE 2 : 1



4-40 UNC-2B  
x .250 min



Finish:  
Spec:  
Type:  
Class:

Tolerances Unless Otherwise Specified:

.xx Decimal: ± .02  
.xxx Decimal: ± .005  
Fraction: ± 1/64  
Angle: ± 2°

**LYN-TRON, INC.**

Part Number:

**NAS1829C4D10**

Description:

**1/4" HEX MALE FEMALE STANDOFF**

Drawn By:

**COURTNEYS08/30/2012**

Gauge:

**STD**

Material:

**Stainless Steel (303)**

Scale:

**6 : 1**