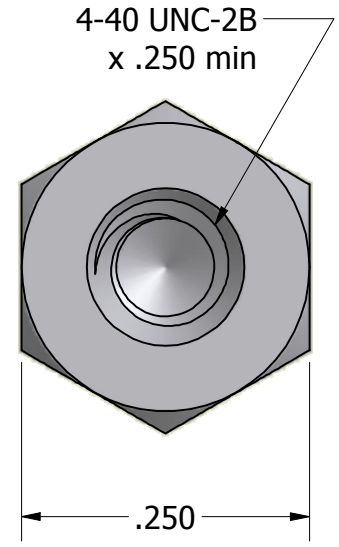
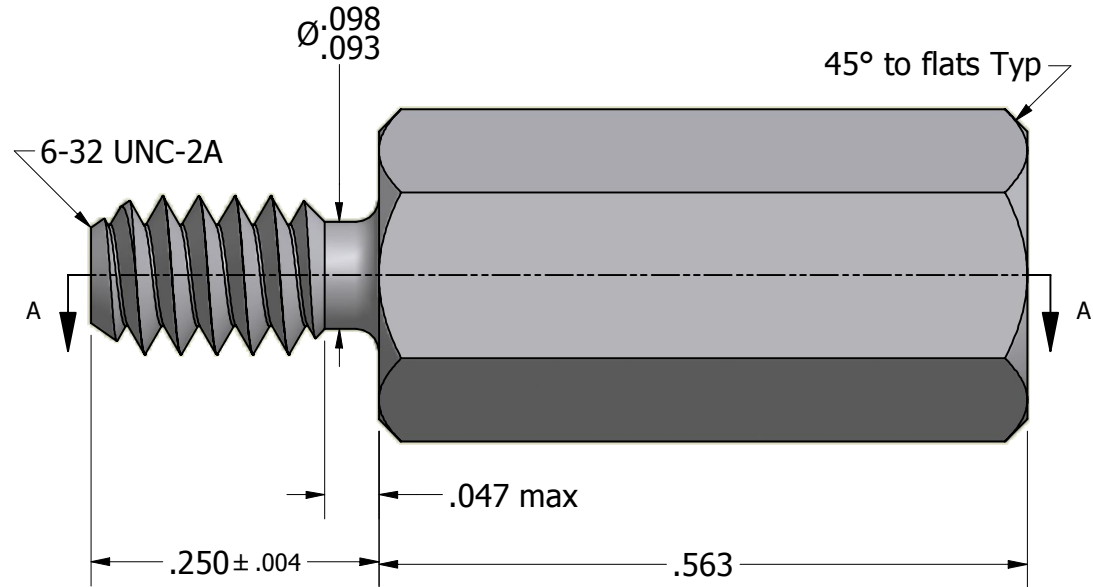


ISO SCALE 2 : 1



Finish:
Spec:
Type:
Class:

Tolerances Unless Otherwise Specified:
 .xx Decimal: ± .02
 .xxx Decimal: ± .005
 Fraction: ± 1/64
 Angle: ± 2°

LYN-TRON, INC.

Part Number:
NAS1829C4D09

Description:
1/4" HEX MALE FEMALE STANDOFF

Drawn By:
COURTNEYS08/30/2012

Gauge:
STD

Material:
Stainless Steel (303)

Scale:
6 : 1