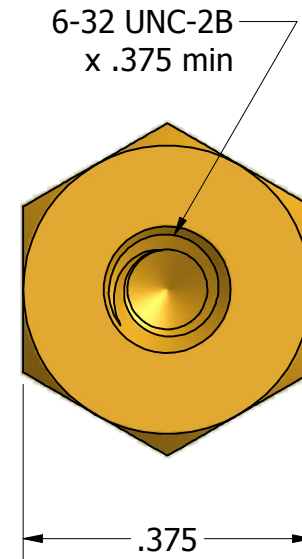
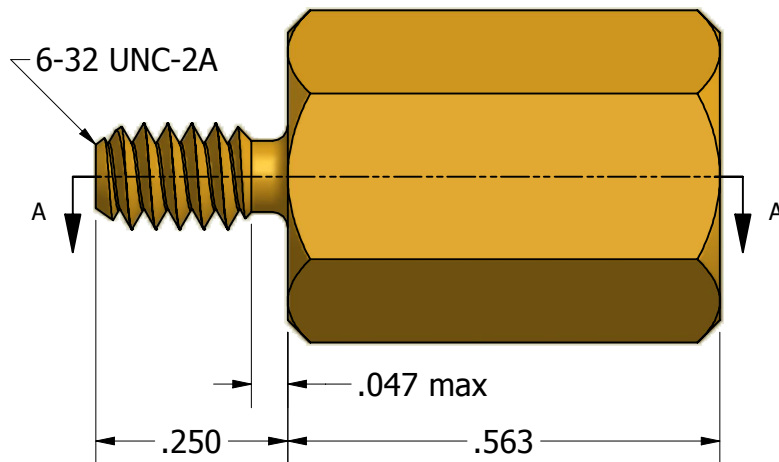


ISO SCALE 2 : 1



Finish:  
Spec:  
Type:  
Class:

Tolerances Unless Otherwise Specified:

.xx Decimal:  $\pm .02$   
 .xxx Decimal:  $\pm .005$   
 Fraction:  $\pm 1/64$   
 Angle:  $\pm 2^\circ$

**LYN-TRON, INC.**

Part Number:

**NAS1829B6E09**

Description:

**3/8" HEX MALE FEMALE STANDOFF**

Drawn By:

**COURTNEYS09/06/2012**

Gauge:

**PP**

Material:

**Brass 360 (11)**

Scale:

**4 : 1**