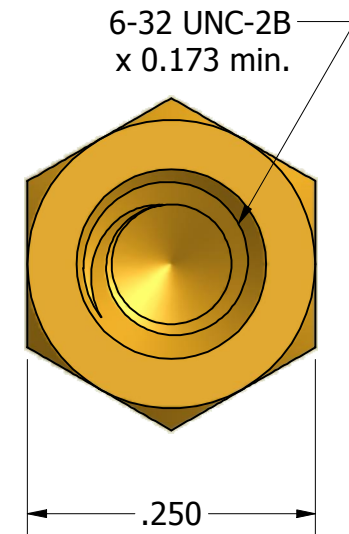
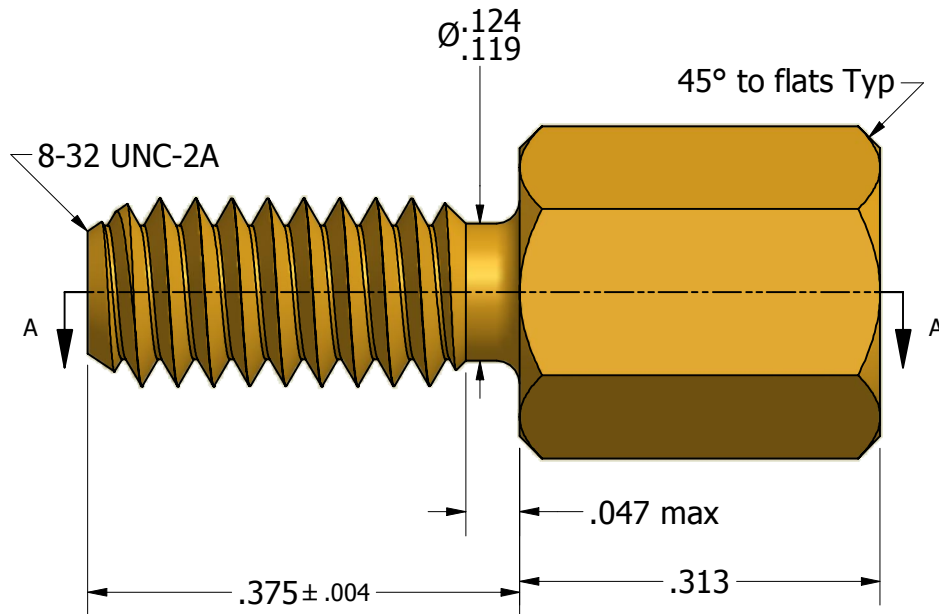


ISO SCALE 2 : 1



Finish:  
Spec:  
Type:  
Class:

Tolerances Unless Otherwise Specified:

.xx Decimal: ± .02  
.xxx Decimal: ± .005  
Fraction: ± 1/64  
Angle: ± 2°

**LYN-TRON, INC.**

Part Number:

**NAS1829B4F05**

Description:

**1/4" HEX MALE FEMALE STANDOFF**

Drawn By:

**COURTNEYS08/30/2012**

Gauge:

**PP**

Material:

**Brass 360 (11)**

Scale:

**6 : 1**