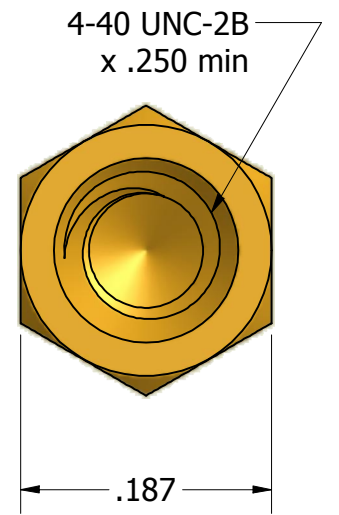
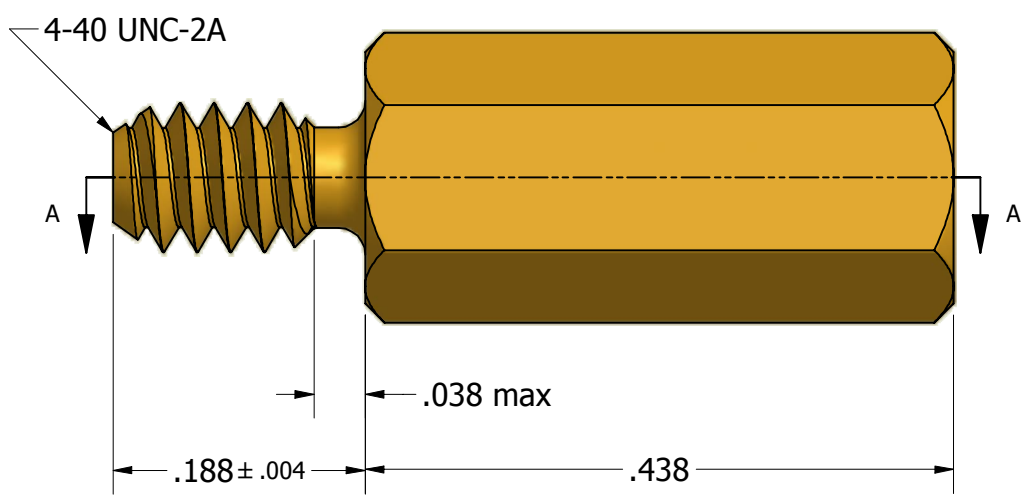


ISO SCALE 2 : 1



Finish:  
Spec:  
Type:  
Class:

Tolerances Unless Otherwise Specified:			
.xx Decimal: ± .02			
.xxx Decimal: ± .005			
Fraction: ± 1/64			
Angle: ± 2°			
		Part Number:	
		<b>NAS1829B3C07</b>	
Description: <b>3/16" HEX MALE FEMALE STANDOFF</b>		Gauge:	Material:
		<b>PP</b>	<b>Brass 360 (11)</b>
Drawn By: <b>COURTNEYS08/28/2012</b>		Scale: <b>7 : 1</b>	