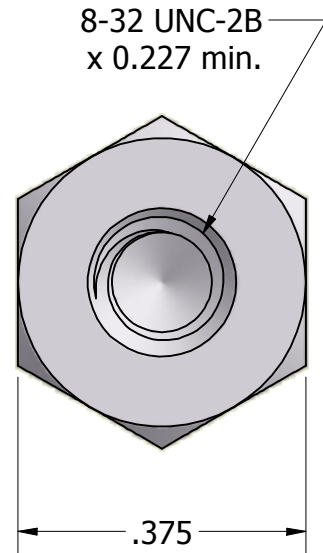
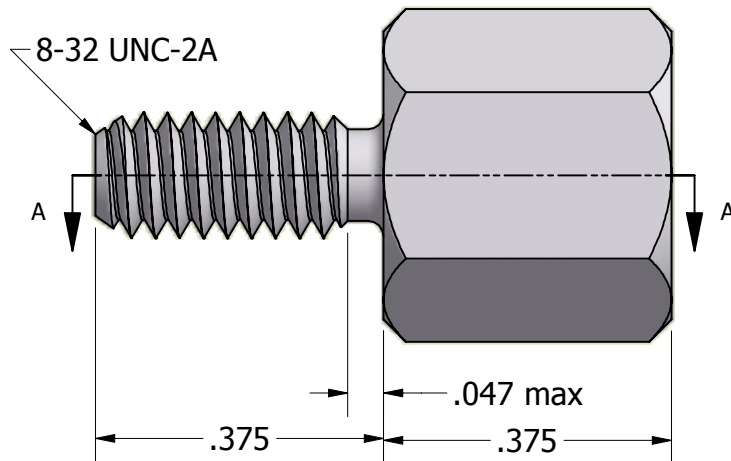


ISO SCALE 2 : 1



Finish:
Spec:
Type:
Class:

All information on this document is owned by Lyn-Tron, Inc. and is not to be copied or used without prior written consent.
LYN-TRON, INC. www.lyntron.com 800-423-2734

Tolerances Unless Otherwise Specified:

.xx Decimal: ± .02
.xxx Decimal: ± .005
Fraction: ± 1/64
Angle: ± 2°

LYN-TRON, INC.

Part Number:

NAS1829AC6G06

Description:

3/8" HEX MALE FEMALE STANDOFF

Drawn By:

COURTNEYS09/06/2012

Gauge:

STD

Material:

Aluminum 2024-T4 (T6)

Scale:

4 : 1