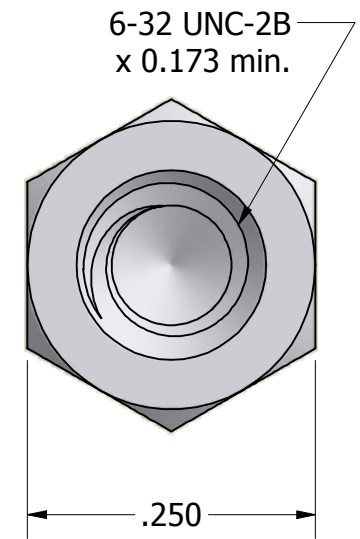
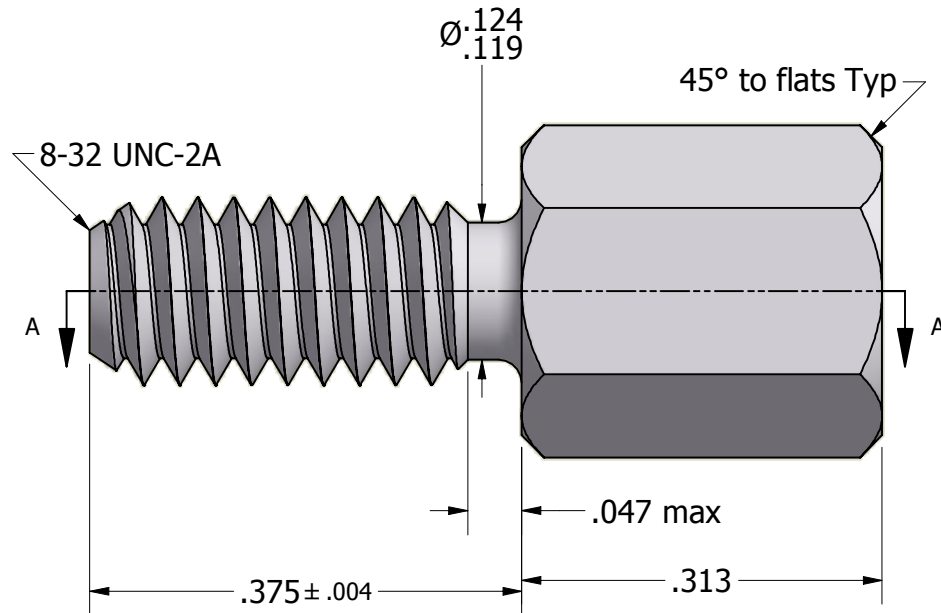


ISO SCALE 2 : 1



Finish:  
Spec:  
Type:  
Class:

Tolerances Unless Otherwise Specified:			
.xx Decimal: ± .02			
.xxx Decimal: ± .005			
Fraction: ± 1/64			
Angle: ± 2°			
		Part Number:	
		<b>NAS1829AC4F05</b>	
		Description:	
		<b>1/4" HEX MALE FEMALE STANDOFF</b>	
Drawn By:	Gauge:	Material:	Scale:
<b>COURTNEYS08/30/2012</b>	<b>STD</b>	<b>Aluminum 2024-T4 (T6)</b>	<b>6 : 1</b>