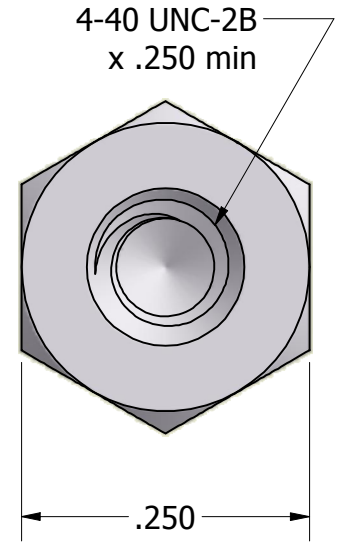
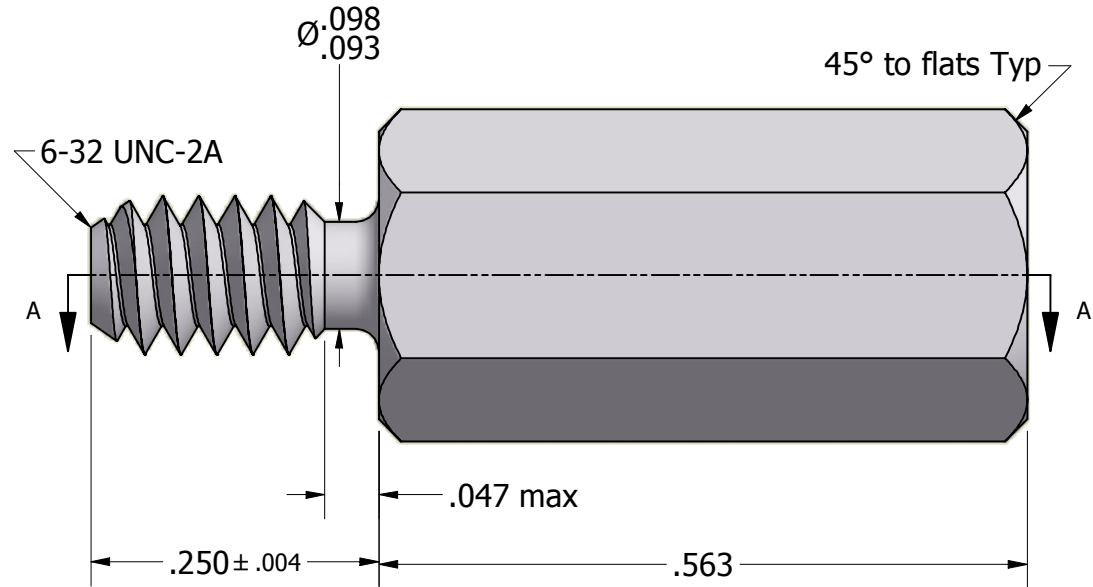


ISO SCALE 2 : 1



Finish:
Spec:
Type:
Class:

| | | | |
|--|------------|--------------------------------------|--------------|
| Tolerances Unless Otherwise Specified: | | | |
| .xx Decimal: ± .02 | | | |
| .xxx Decimal: ± .005 | | | |
| Fraction: ± 1/64 | | | |
| Angle: ± 2° | | | |
| | | Part Number: | |
| | | NAS1829AC4D09 | |
| | | Description: | |
| | | 1/4" HEX MALE FEMALE STANDOFF | |
| Drawn By: | Gauge: | Material: | Scale: |
| COURTNEYS08/30/2012 | STD | Aluminum 2024-T4 (T6) | 6 : 1 |