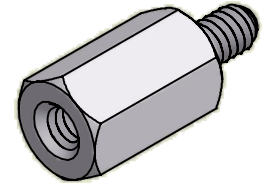
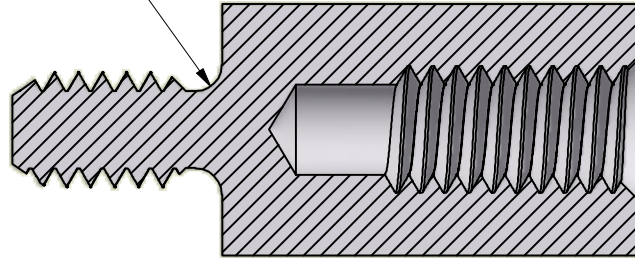
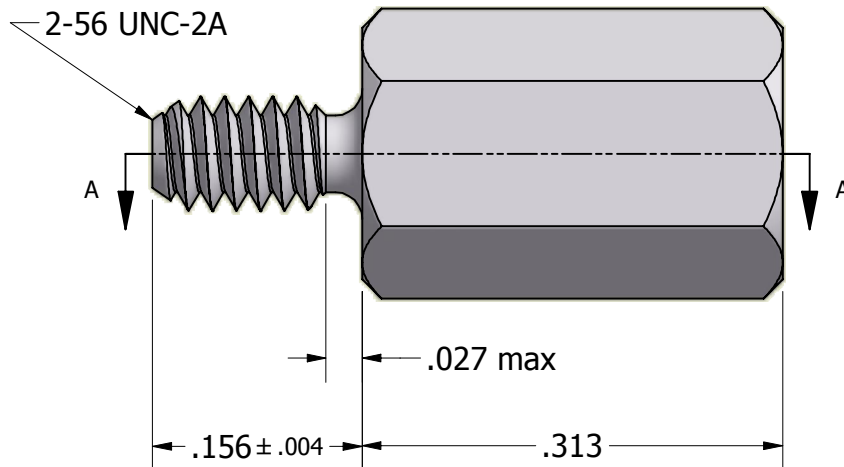


R.020 ± .010

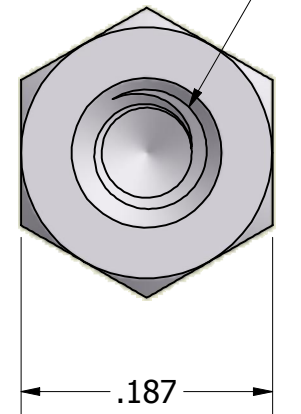
SECTION A-A



ISO SCALE 3 : 1



2-56 UNC-2B
x .187 min



Finish:
Spec:
Type:
Class:

Tolerances Unless Otherwise Specified:

.xx Decimal: ± .02
.xxx Decimal: ± .005
Fraction: ± 1/64
Angle: ± 2°

LYN-TRON, INC.

Part Number:

NAS1829A3A05

Description:

3/16" HEX MALE FEMALE STANDOFF

Drawn By:

COURTNEYS08/28/2012

Gauge:

STD

Material:

Aluminum 2024-T4 (T6)

Scale:

7 : 1