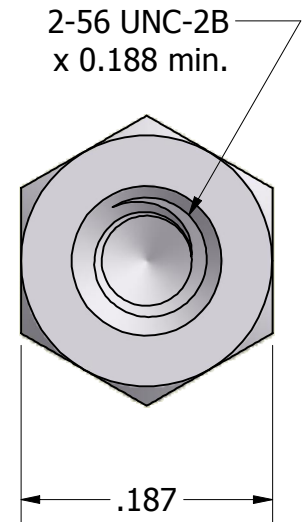
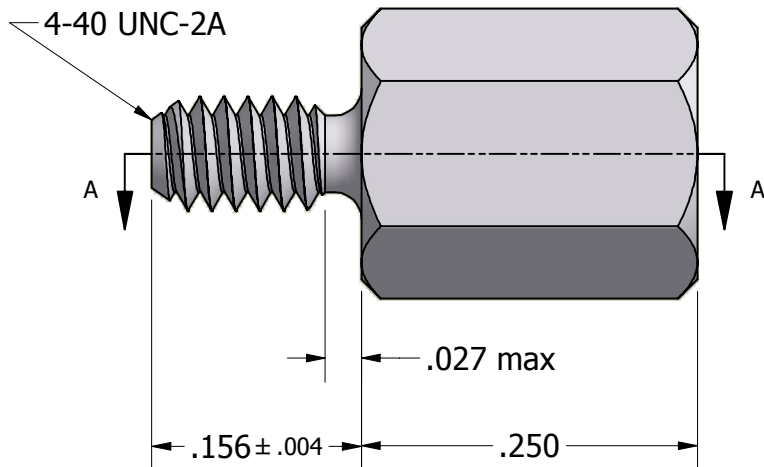


ISO SCALE 3 : 1



Finish: ANODIC COAT
 Spec: MIL-A-8625
 Type: 1
 Class: 1

Tolerances Unless Otherwise Specified:

.xx Decimal: ± .02
 .xxx Decimal: ± .005
 Fraction: ± 1/64
 Angle: ± 2°

LYN-TRON, INC.

Part Number:

NAS1829A3A04

Description:

3/16" HEX MALE FEMALE STANDOFF

Drawn By:

COURTNEYS04/19/2012

Gauge:

STD

Material:

Aluminum 2024-T4 (T6)

Scale:

7 : 1