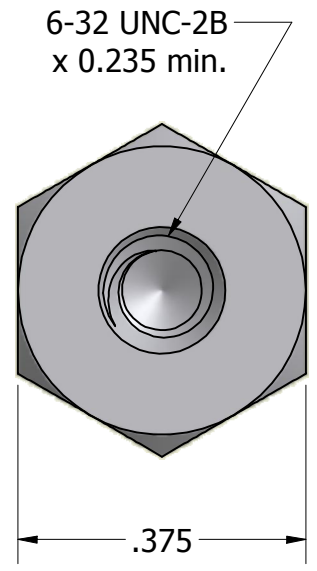
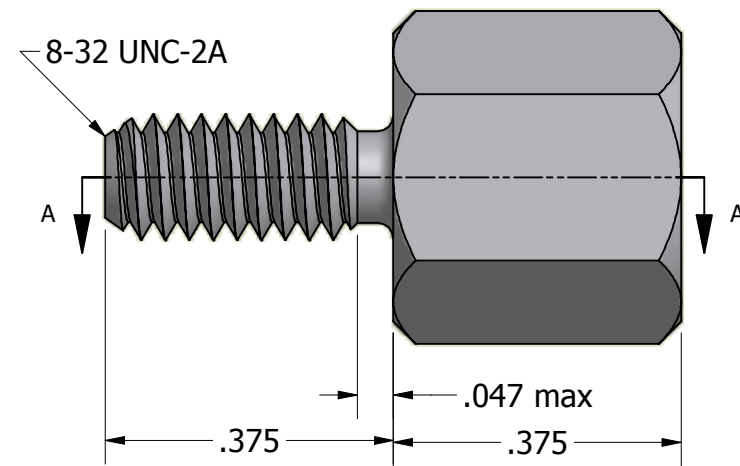


ISO SCALE 2 : 1



Finish:
Spec:
Type:
Class:

Tolerances Unless Otherwise Specified:
 .xx Decimal: $\pm .02$
 .xxx Decimal: $\pm .005$
 Fraction: $\pm 1/64$
 Angle: $\pm 2^\circ$

LYN-TRON, INC.

Part Number:
NAS1829-6F06

Description:
3/8" HEX MALE FEMALE STANDOFF

Drawn By:
COURTNEYS08/30/2012

Gauge:
STD

Material:
Steel

Scale:
4 : 1