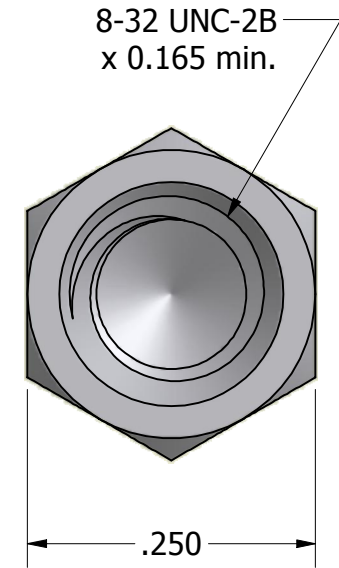
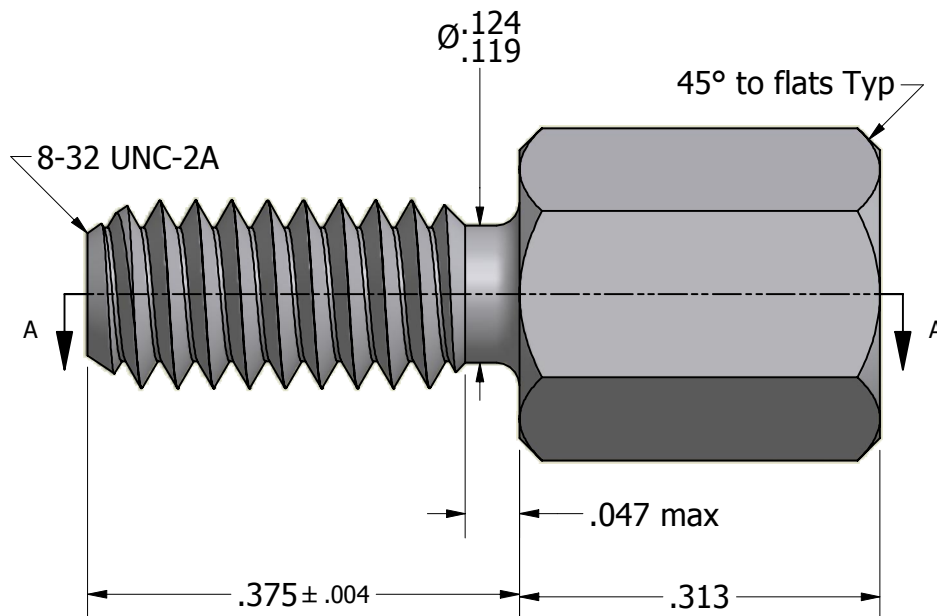


ISO SCALE 2 : 1



Finish:
Spec:
Type:
Class:

Tolerances Unless Otherwise Specified:			
.xx Decimal: ± .02			
.xxx Decimal: ± .005			
Fraction: ± 1/64			
Angle: ± 2°			
		Part Number:	
		NAS1829-4G05	
		Description:	
		1/4" HEX MALE FEMALE STANDOFF	
Drawn By:	Gauge:	Material:	Scale:
COURTNEYS08/30/2012	STD	Steel	6 : 1