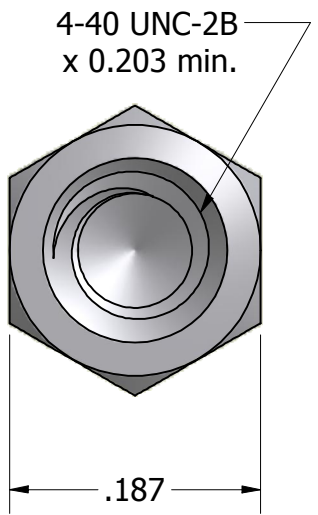
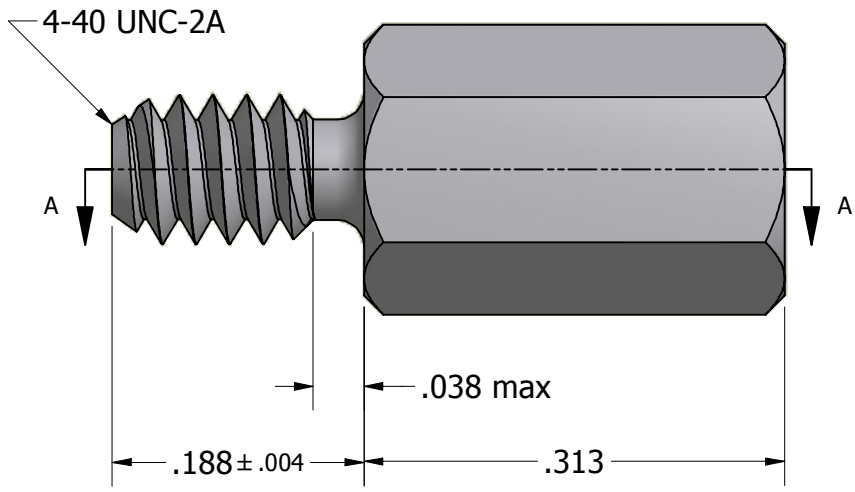


ISO SCALE 2 : 1



Finish: CADMIUM
 Spec: QQ-P-416
 Type: 2
 Class: 2

Tolerances Unless Otherwise Specified:		LYN-TRON, INC.	
.xx Decimal: ± .02			
.xxx Decimal: ± .005		Part Number:	
Fraction: ± 1/64		NAS1829-3C05	
Angle: ± 2°		Description:	
		3/16" HEX MALE FEMALE STANDOFF	
Drawn By:	Gauge:	Material:	Scale:
COURTNEYS06/05/2012	STD	Steel	7 : 1