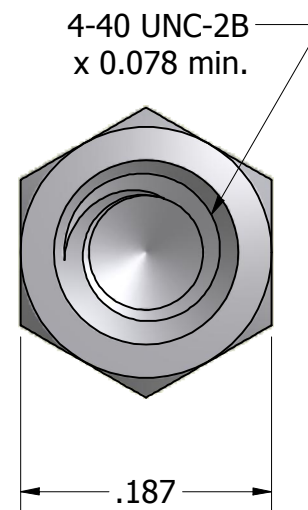
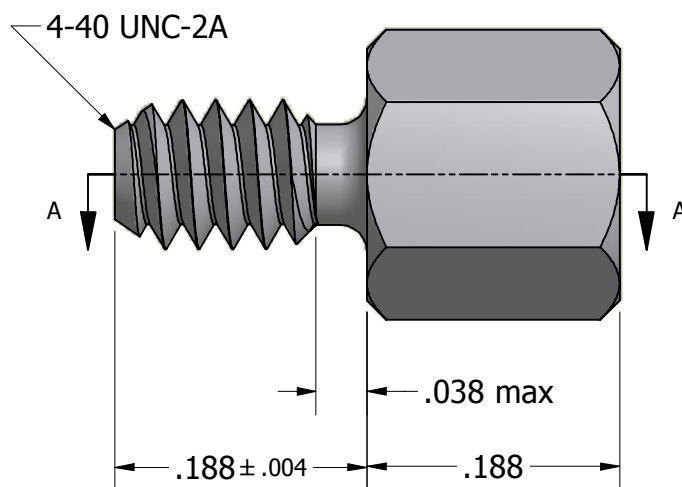


ISO SCALE 2 : 1



Finish: CADMIUM
 Spec: QQ-P-416
 Type: 2
 Class: 2

Tolerances Unless Otherwise Specified:

.xx Decimal: ± .02
.xxx Decimal: ± .005
Fraction: ± 1/64
Angle: ± 2°

LYN-TRON, INC.

Part Number:

NAS1829-3C03

Description:

3/16" HEX MALE FEMALE STANDOFF

Drawn By:

COURTNEYS06/05/2012

Gauge:

STD

Material:

Steel

Scale:

7 : 1