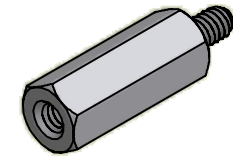
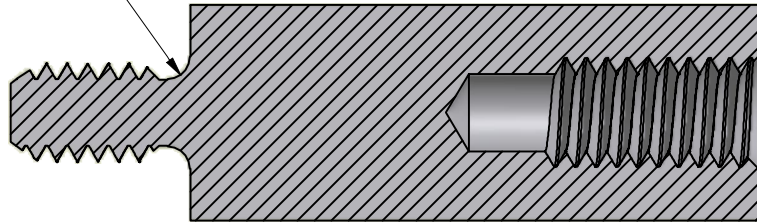


R.020 ± .010

SECTION A-A

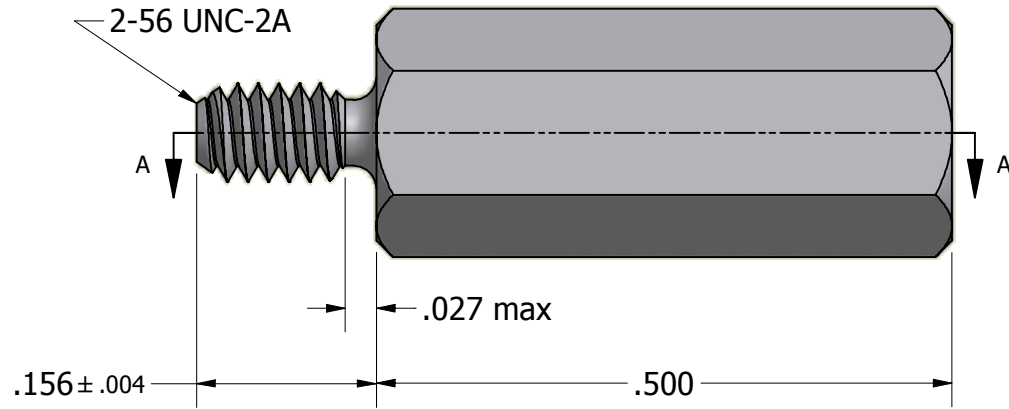


ISO SCALE 2 : 1

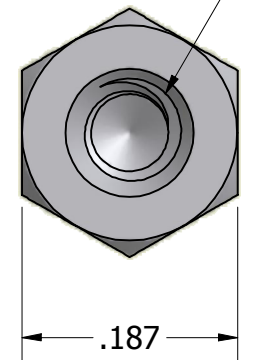
2-56 UNC-2A

A

A



2-56 UNC-2B
x .187 min



Finish:
Spec:
Type:
Class:

Tolerances Unless Otherwise Specified:

.xx Decimal: ± .02
.xxx Decimal: ± .005
Fraction: ± 1/64
Angle: ± 2°

LYN-TRON, INC.

Part Number:

NAS1829-3A08

Description:

3/16" HEX MALE FEMALE STANDOFF

Drawn By:

COURTNEYS08/16/2012

Gauge:

STD

Material:

Steel

Scale:

6 : 1