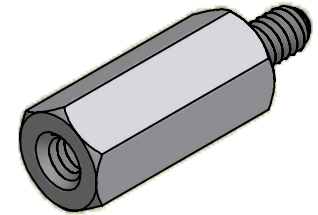
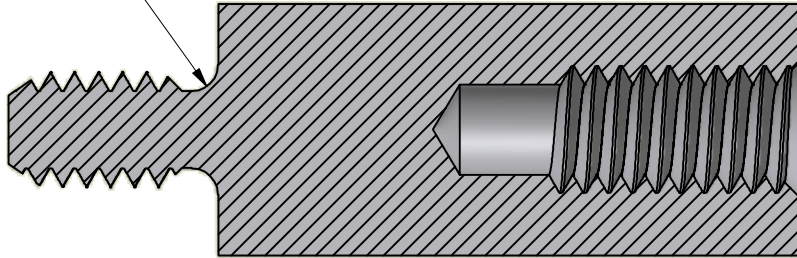


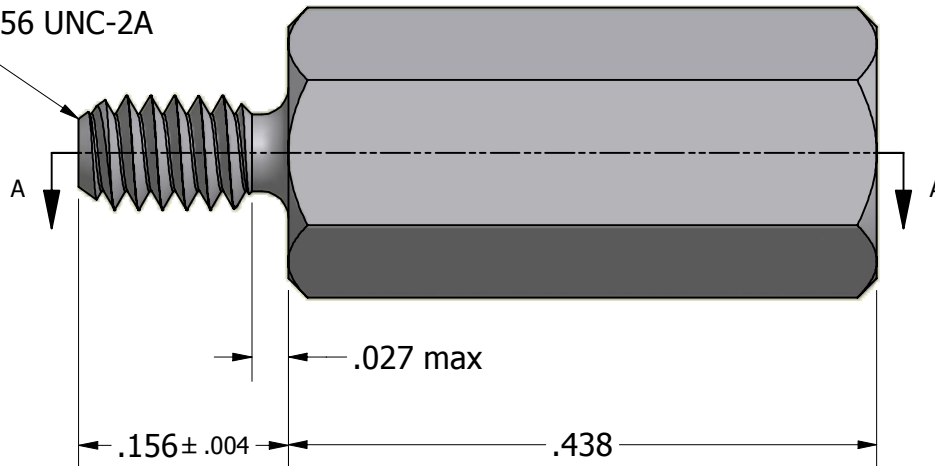
R.020 ± .010

SECTION A-A

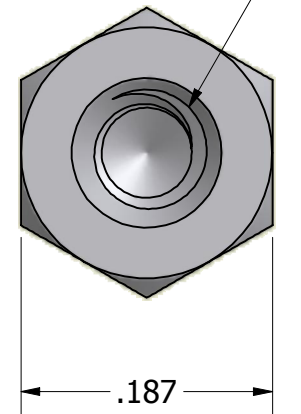


ISO SCALE 3 : 1

2-56 UNC-2A



2-56 UNC-2B  
x .187 min



Finish:  
Spec:  
Type:  
Class:

Tolerances Unless Otherwise Specified:

**.xx Decimal:** ± .02  
**.xxx Decimal:** ± .005  
**Fraction:** ± 1/64  
**Angle:** ± 2°

**LYN-TRON, INC.**

Part Number:

**NAS1829-3A07**

Description:

**3/16" HEX MALE FEMALE STANDOFF**

Drawn By:

**COURTNEYS08/16/2012**

Gauge:

**STD**

Material:

**Steel**

Scale:

**7 : 1**