



(ST400)

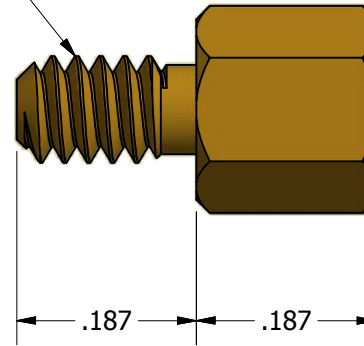


(ST302)



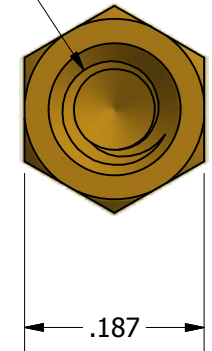
(ST300)

4-40 UNC-2A



(BR9410)

4-40 UNC-2B
 ∇ .110 MIN



BULK Includes:

- 2 - BR9410 Jack Screws
- 2 - ST400 Hex Nuts
- 2 - ST302 Splitlock Washers
- 4 - ST300 Flat Washers

REVISION HISTORY		
REV	DESCRIPTION	DATE
A	NEW RELEASE	

Tolerances Unless Otherwise Specified:

- .xx Decimal: $\pm .01$
- .xxx Decimal: $\pm .004$
- Fraction: $\pm 1/64$
- Angle: $\pm 2^\circ$

Manufacturing Drawing

Notes Unless Otherwise Specified:

- (1) Break Sharp Edges
- (2) Remove All Burrs

LYN-TRON, INC.

P/N:

BR9430

Description:

3/16 Hex Jack Screw

Drawn By:

Rick Z.

Date Created:

06/02/2017

Gauge:

PP

Material:

Brass / Steel

Linked Part:

Scale:

5:1