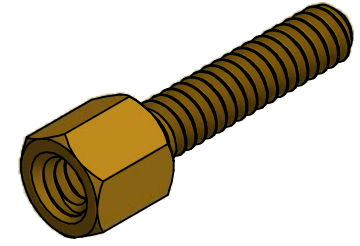
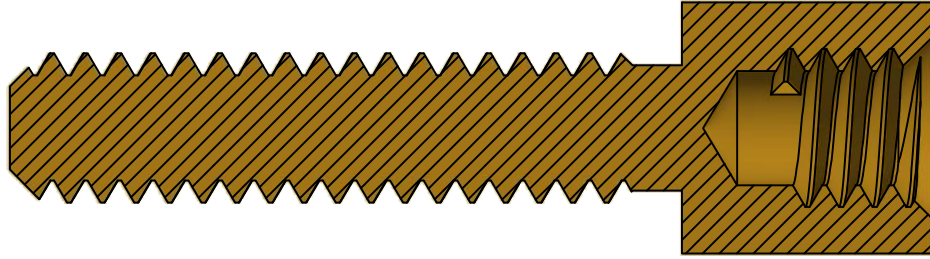
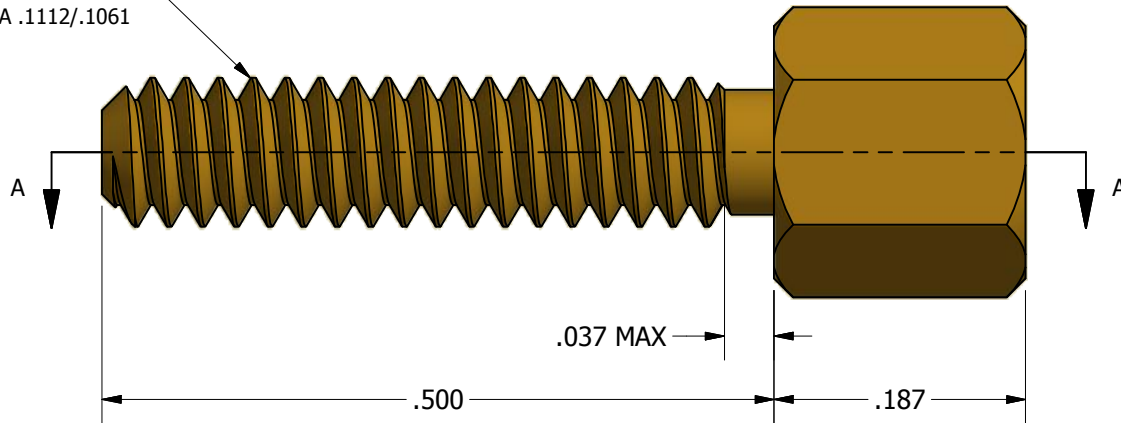


SECTION A-A

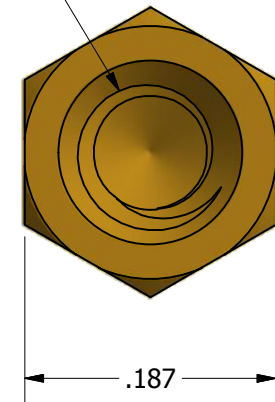


ISO SCALE 3 : 1

4-40 UNC-2A
MAJ DIA .1112/.1061



4-40 UNC-2B
√ .110 MIN



Notes:

Tolerances Unless Otherwise Specified:

.xx Decimal: $\pm .01$
.xxx Decimal: $\pm .004$
Fraction: $\pm 1/64$
Angle: $\pm 2^\circ$

Notes Unless Otherwise Specified:

- (1) Break Sharp Edges
- (2) Remove All Burrs

LYN-TRON, INC.

P/N:

BR9415

Description:

3/16 Hex Jack Screw

Drawn By:

Rick Z

Date Created:

08/22/2018

Gauge:

Material:

Brass

Linked Part:

Scale:

7:1