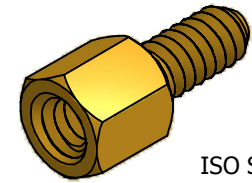
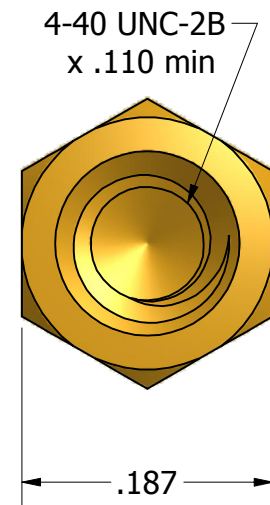
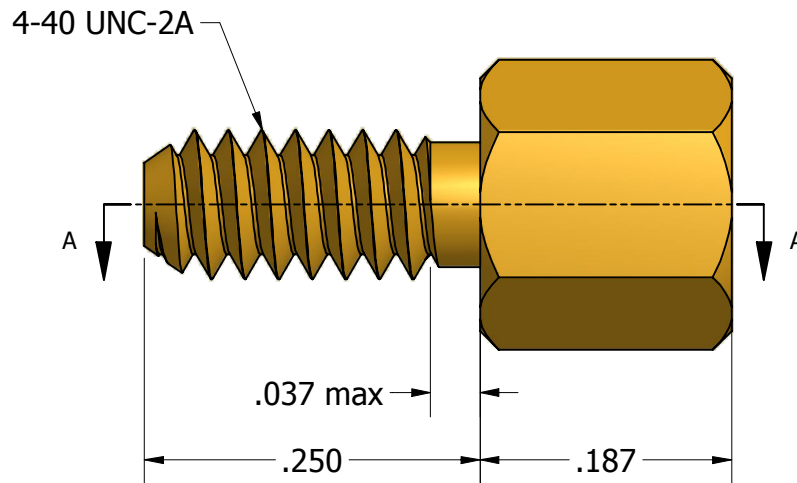


SECTION A-A



ISO SCALE 3 : 1



Tolerances Unless Otherwise Specified:

**.xx Decimal:** ± .02  
**.xxx Decimal:** ± .005  
**Fraction:** ± 1/64  
**Angle:** ± 2°

**LYN-TRON, INC.**

Part Number:

**BR9411**

Description:

**3/16 Hex Jack Screw**

Drawn By:

**CLS**

**7/26/2011**

Gauge:

Material:

**Brass**

Scale:

**7:1**