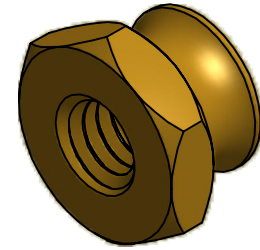
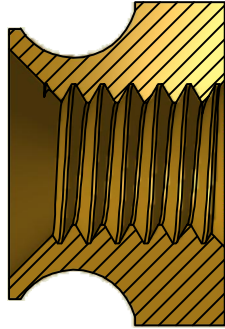
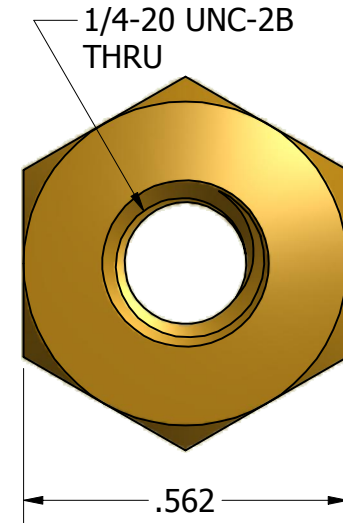
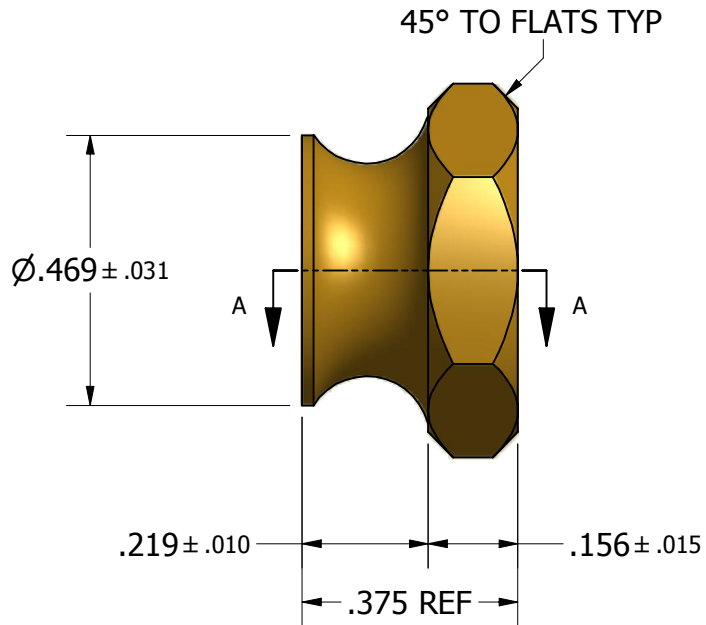


SECTION A-A



ISO SCALE 2 : 1



Tolerances Unless Otherwise Specified:

.xx Decimal: $\pm .01$
.xxx Decimal: $\pm .004$
Fraction: $\pm 1/64$
Angle: $\pm 2^\circ$

LYN-TRON, INC.

Part Number:

BR7725

Description:

9/16 Hex Thumb Nut

Drawn By:

Cameron C. 12/6/2012

Gauge:

PP

Material:

Brass

Scale:

3:1