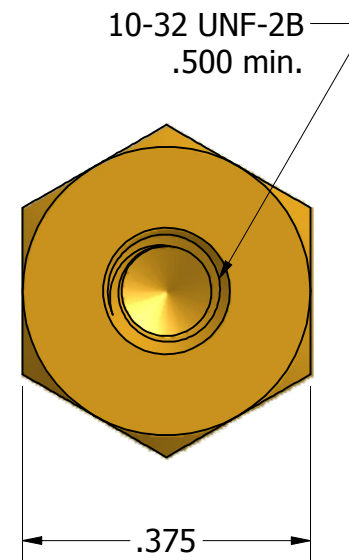
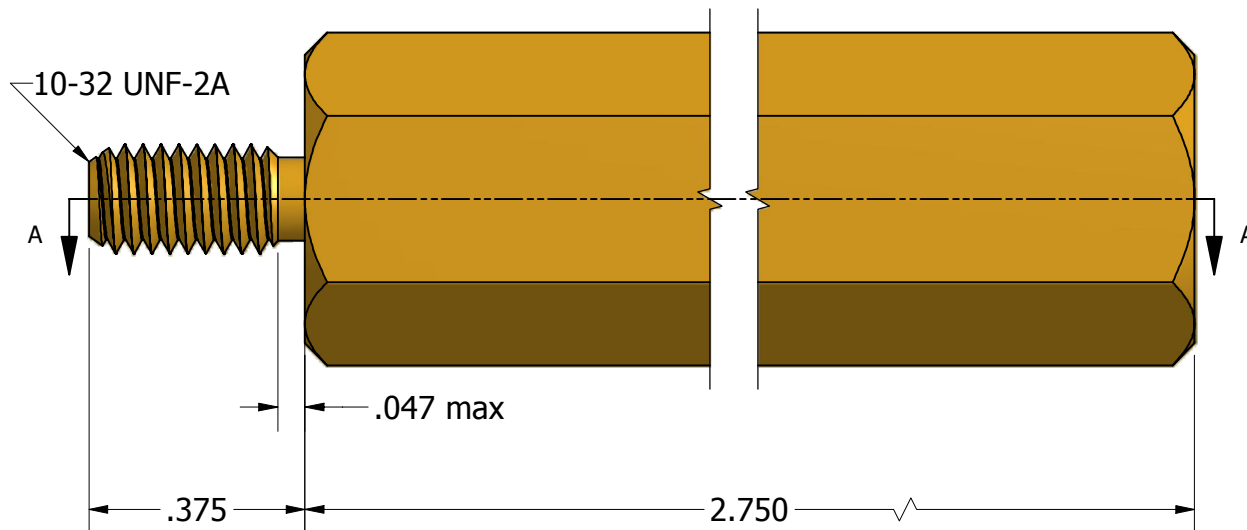
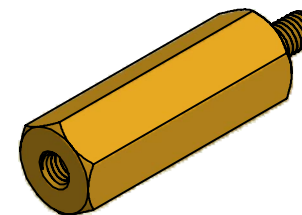
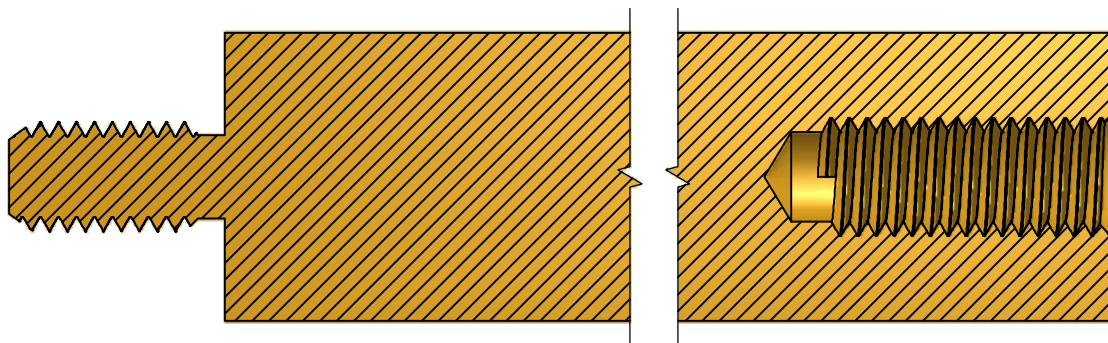


SECTION A-A



Tolerances Unless Otherwise Specified:

**.xx Decimal:** ± .02  
**.xxx Decimal:** ± .005  
**Fraction:** ± 1/64  
**Angle:** ± 2°

**LYN-TRON, INC.**

Part Number:

**BR6986-2.750**

Description:

**3/8 Hex Male-Female Standoff**

Drawn By:

**KENANG 06/25/2011**

Gauge:

Material:

**Brass**

Scale:

**NTS**