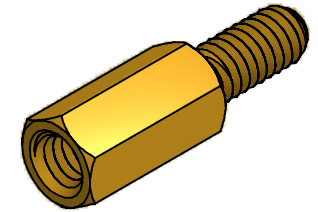
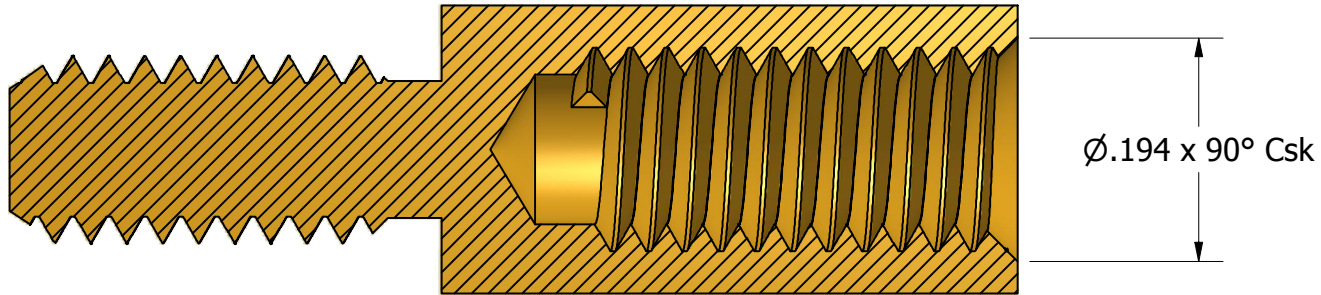
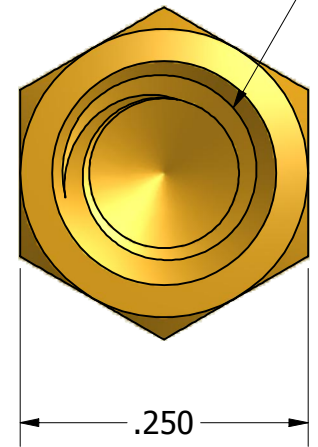
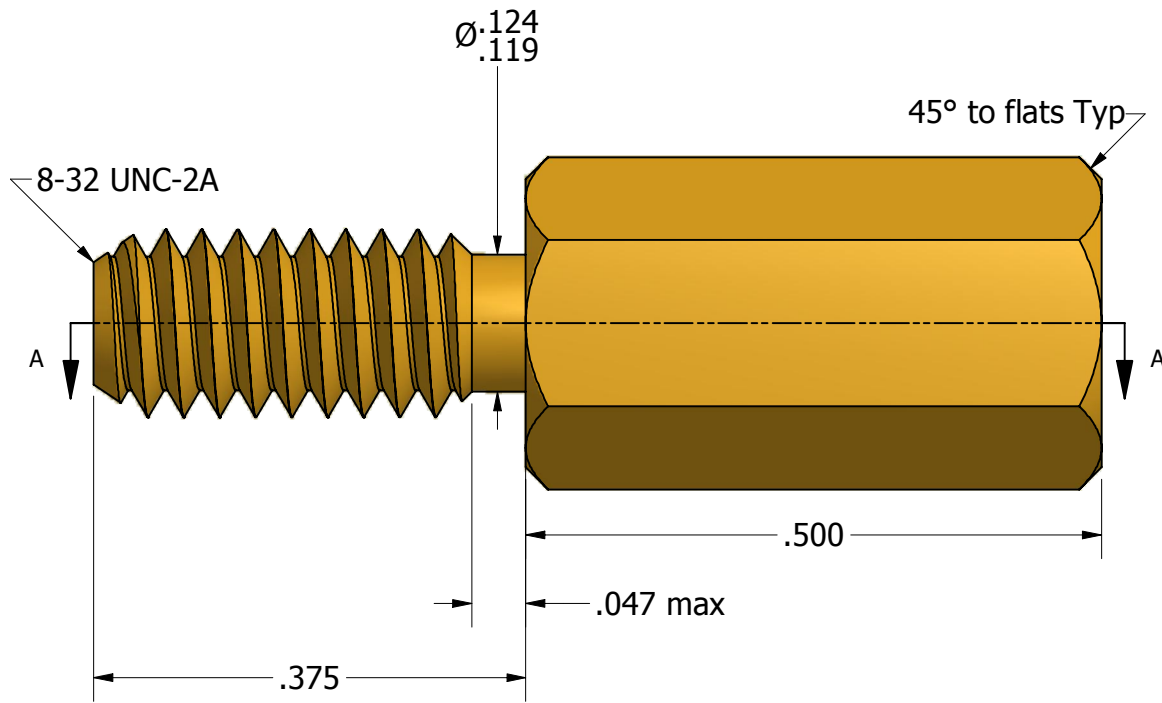


SECTION A-A



ISO SCALE 2 : 1

8-32 UNC-2B
x 0.372 min.



Tolerances Unless Otherwise Specified:		LYN-TRON, INC.	
.xx Decimal:	± .02		
.xxx Decimal:	± .005	Part Number:	
Fraction:	± 1/64	BR6982-0.500	
Angle:	± 2°	Description:	
		1/4 Hex Male-Female Standoff	
Drawn By:	Gauge:	Material:	Scale:
KENANG 06/25/2011		Brass	6 : 1